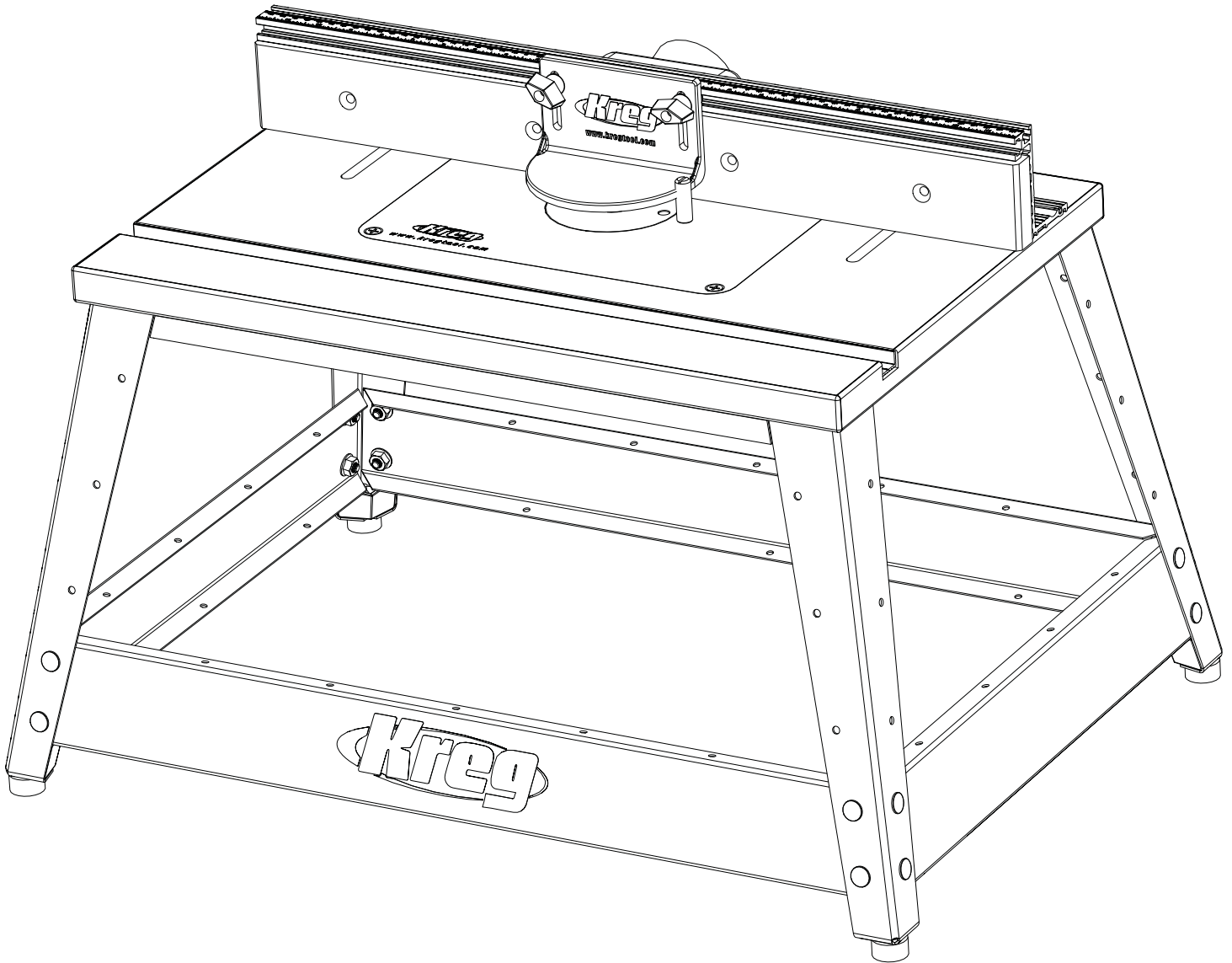




Precision Benchtop Router Table

INSTRUCTIONAL MANUAL

Item# PRS2100



Tools Required:

- #2 Square Driver Bit (Included)
- 1/8-in. Hex Wrench (Included)
- #2 Phillips screw driver
- Flat-blade screw driver
- 7/16-in. Socket Wrench
- Double-faced Tape
- Drill Press or Hand Drill
- Drill Bits

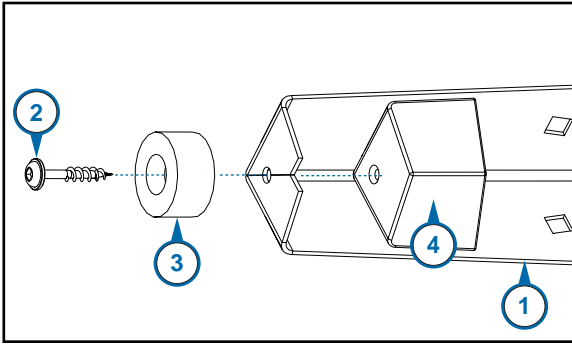
NK8008
Version 1 - 2/2013

1. Benchtop Router Table Parts List

#	Description	Part #	Quantity
1	LEGS	RT10180-2	4
2	1" COARSE-THREAD SCREWS	*	4
3	RUBBER FEET	*	4
4	FOOT SUPPORTS	*	4
5	SHORT RAILS	RT10180-1	2
6	LONG RAILS	**	2
7	BRACES	**	2
8	¼-20 X ½" FLATHEAD CARRIAGE BOLTS	*	16
9	¼" FLANGE HEX NUTS	*	16
10	TABLE TOP	RT10150	1
11	MITER TRACK	RT10174	1
12	5MM X 20MM FLATHEAD SCREWS	NK8023	3
13	INSERT PLATE LEVELERS	RT10100	4
14	1¼" COARSE-THREAD SCREWS	SML-C125	12
15	⅝" HEX WRENCH	AW18	1
16	¼-20 X 1½" SOCKET-HEAD SET SCREWS	RT10111	8
17	¾" COARSE-THREAD SCREWS	*	16
18	INSERT PLATE	NK7880	1
19	¼-20 X 1¼" PHILLIPS PANHEAD MACHINE SCREWS	RT10112	4
20	¼-20 X ¾" SOCKET-HEAD SET SCREW	DK1522	1
21	BRASS STARTING PIN	RT10108	1
22	FENCE EXTRUSION	RT10145	1
23	VACUUM PORT	RT10151	1
24	10-32 X ⅜" PANHEAD MACHINE SCREWS	RT10153	2
25	48" CENTER-READING TAPE	RT10140	1
26	FENCE FACES	NK8023	2
27	¼-20 X 1½" FLATHEAD MACHINE SCREW	RT10152	4
28	¼" BRASS FLAT WASHER	DK1504	6
29	T-KNOBS	DK1313	6
30	BIT GUARD	RT10133	1
31	¼-20 X 1¼" T-BOLTS	FT4212	2
32	SPACERS	RT10134	2
33	CAM POSTS	FT4245	2
34	CAM LEVERS	FT4139	2
35	¼-20 X 2½" PHILLIPS PANHEAD MACHINE SCREWS	NK8011	2
36	CLAMP ANCHORS	RT10148	2
37	JOINTING RODS	RT10149	2
38	1" REDUCING RING	NK7773	1
39	GUIDE BUSHING REDUCING RING	NK7775	1
40	2⅝" REDUCING RING	NK7774	1
41	RING WRENCH	NK8003	1

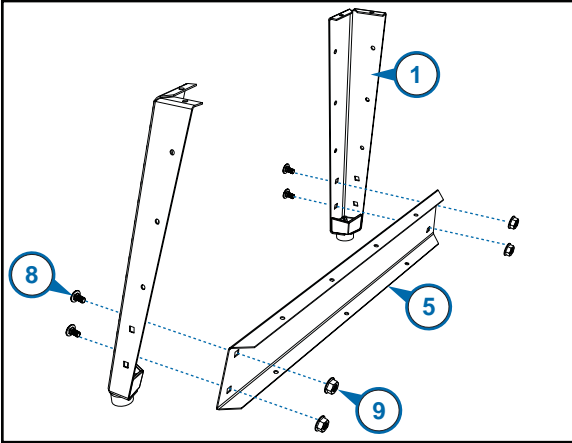
*Included in RT10180-2 parts box

**Included in RT10180-1 parts box



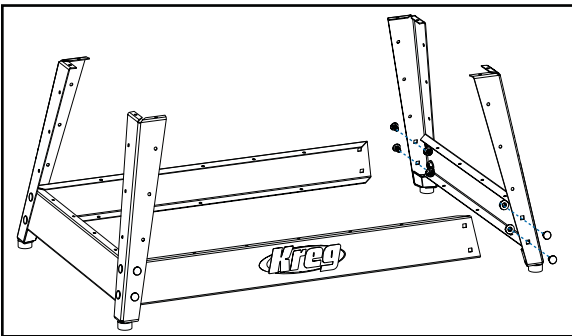
Step 1

Open inner-pack box RT10180-2 and remove the legs (#1) and hardware pack. On each leg, insert a 1" coarse-thread screw (#2) through a rubber foot (#3), through the hole in the bottom of each leg, and then drive the screw into the foot support (#4) pilot hole. Be careful not to strip out the foot-support pilot holes by over-tightening the screws.

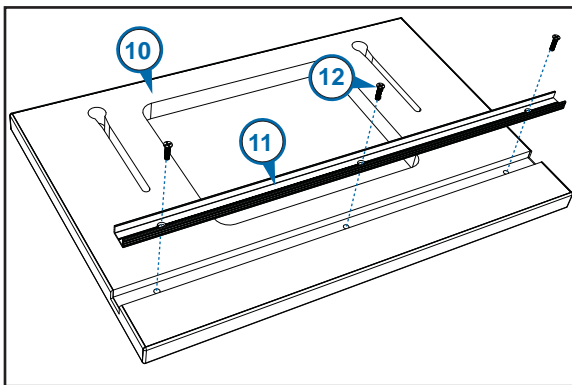


Step 2

Open inner-pack box RT10180-1 and remove the short rails (#5), long rails (#6), and braces (#7). Bolt a short rail to each pair of legs (#1) using four 1/4-20 x 1/2" flathead carriage bolts (#8) and four 1/4" flange hex nuts (#9) per rail. At this time, only finger-tighten the nuts.

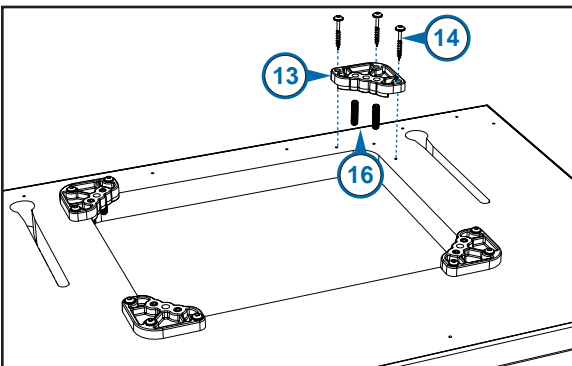


Now join the leg/short rail assemblies by bolting the long rails to the legs. Again, only finger-tighten the nuts.



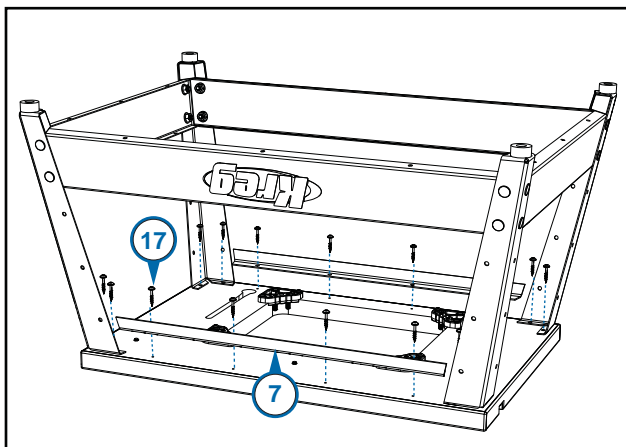
Step 3

The table top (#10) is shipped with the miter track (#11) in place, but not fastened. Secure the miter track with three 5mm flathead screws (#12), driving them into the pre-drilled holes in the table top.



Place the table top upside down on your work bench and position an insert-plate leveler (#13) in each corner of the opening in the table top, mating the curve on the raised portion of the leveler with the radius corner of the opening. The holes in the leveler align with pilot holes in the table-top. Fasten each leveler to the tabletop with three 1 1/4" coarse-thread screws (#14).

Using the 1/8" hex wrench (#15), drive a 1/4-20 x 1 1/2" socket-head set screw (#16) into the outside holes in each leveler, threading them in from the bottom until the tips are 3/8" below the table surface.



Step 4

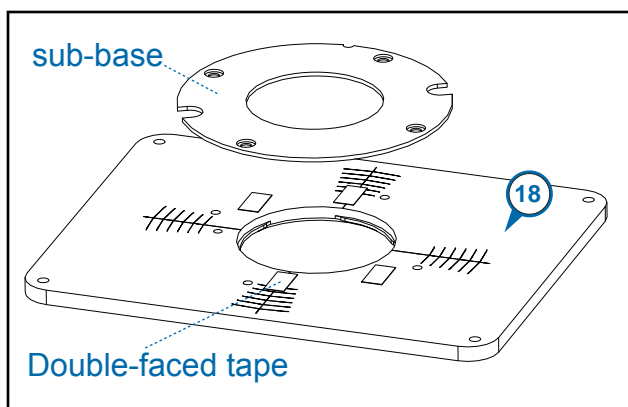
Position the legs/rails assembly on the bottom face of the router table top with the Kreg logo facing the front. (The miter-gauge track is at the front edge of the table top.) Align the holes in the top flanges of the legs with the pilot holes in the table top. Fasten the legs to the top with eight $\frac{3}{4}$ " coarse-thread screws (#17). Be careful not to strip out the pilot holes by over-tightening the screws.

Tighten all sixteen nuts on the leg/rail assembly.

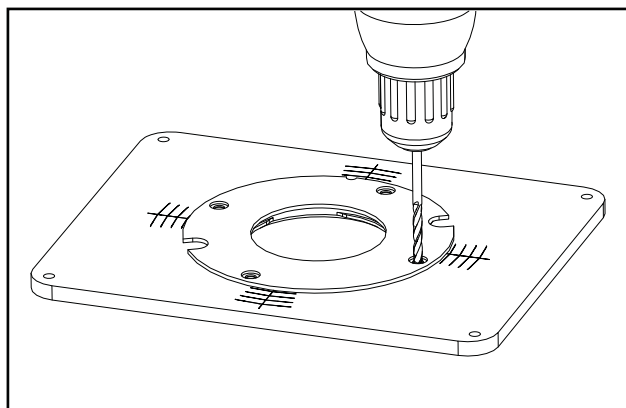
Position the braces (#7) on the bottom face of the table top (#10) along the long edges. Align the holes in the braces with the pilot holes in the table top. Fasten the braces to the top with eight $\frac{3}{4}$ " coarse-thread screws (#17).

Step 5

There is not a standard hole pattern for the machine screws that fasten the sub-base to a router base. You'll drill your own holes in this insert plate to fit your router. When aligning the router sub-base with the target pattern on the insert plate, adjust the orientation so you'll have easy access to the router controls when the router and plate are installed in your router table. The router handles do not need to be square with the table or plate for proper operation. Easy access to the on/off switch, depth-adjustment lock, and other controls should be your priority when attaching the router to the insert plate.

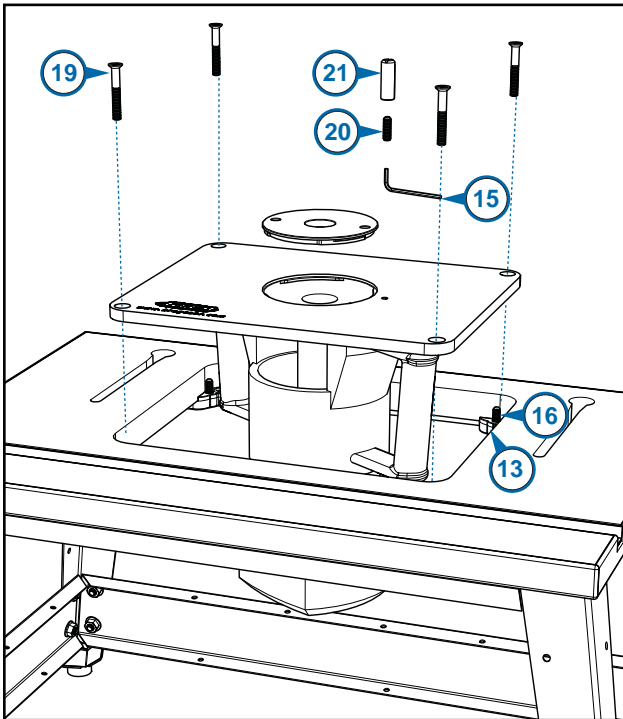


Place the insert plate (#18) on your workbench with the target pattern facing up. Remove the sub-base from your router and select a drill bit that fits the mounting holes. If your router is equipped with a built-in lift system, select a bit that fits the lift-access hole. Apply several small pieces of double-faced tape to the insert plate. Now, center the sub-base on the plate, using the concentric arcs of the target pattern as guides. Keep in mind where you want the router controls positioned. Make sure that none of the holes you are about to drill align with the threaded hole for the start pin. Press the sub-base firmly onto the insert plate.



Using the holes in the sub-base as guides, drill the holes in the insert plate with a drill press or hand drill. Performing this operation on a drill press ensures that the holes are perpendicular to the plate. Before drilling, securely clamp the insert plate to your drill-press table or bench to prevent it from moving as you drill. Whether you use a drill press or hand drill, place a scrap piece of wood under the insert plate to reduce chipping as the drill bit passes through the plate.

With the holes drilled, remove the sub-base from the insert plate. Flip the plate over and countersink the mounting holes so the machine screw heads sit slightly below the plate surface when tightened down. Store the router sub-base in a convenient place. You will need it when you remove your router from the router table for handheld routing.

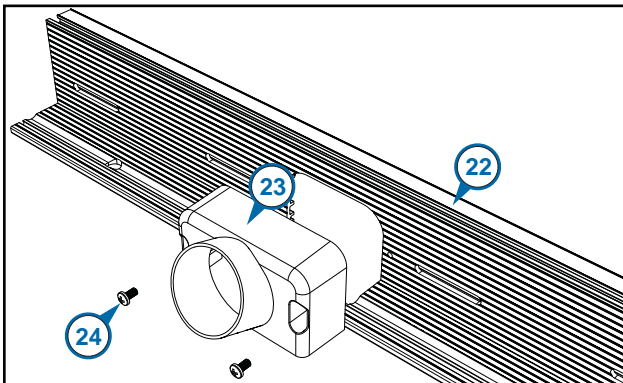


Step 6

Attach the router base to the insert plate, using the screws that attached the sub-base to the router base. Depending on the thickness of your router sub-base, it may be necessary to purchase longer screws. Make certain that the screws are long enough to fully thread into the router base. If you are mounting a fixed-base router, install the motor unit in the router base.

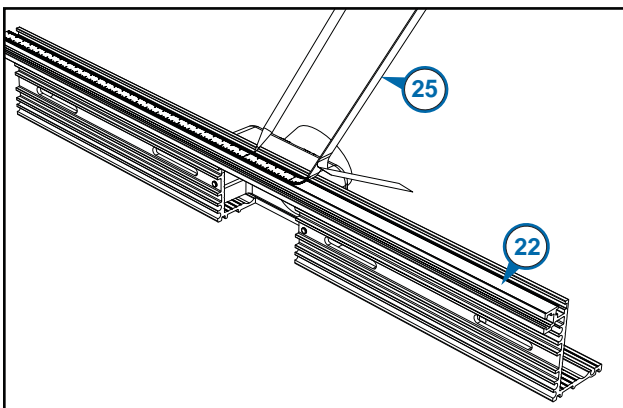
Place the insert plate with the router attached in the table top opening, resting it on the eight set screws (#16) in the plate levelers (#13). Using the hex wrench (#15), adjust the set screws from under the table to align the surfaces of the plate and the table. Check the alignment with a steel ruler or the edge of a jointed board. Make sure all eight set screws are in equal contact with the insert plate. Thread the four 1/4-20 x 1 3/4" machine screws (#19) through the countersunk holes in the insert plate and into the center hole on each leveler and snug them down. The machine screws and set screws apply pressure in opposing directions, locking the insert plate in place. Some loosening or tightening of the lock down screws and set screws may be necessary to fine-tune the alignment.

Thread the 1/4-20 x 3/4" set screw (#20) into the bottom of the brass starting pin (#21) and tighten the assembly with a flat-blade screw driver and 1/8" hex wrench (#15). When ready for use, thread the starting pin assembly into the threaded hole in the insert plate and tighten it.



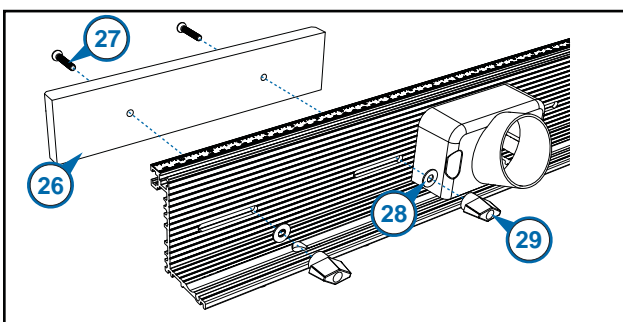
Step 7

Mount the vacuum port (#23) to the fence extrusion (#22) using two #10-32 x 3/8" Phillips pan head machine screws (#24).



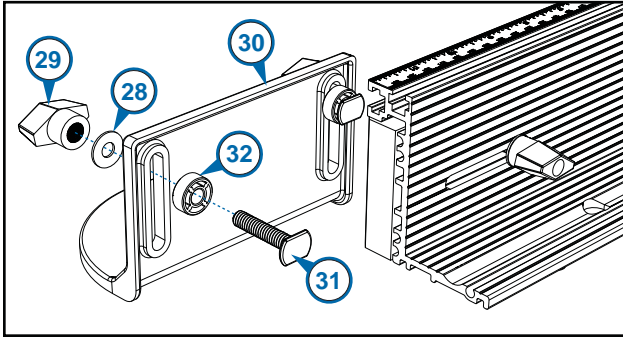
Step 8

Using a tape measure and pencil, locate and mark the center point of the top edge of the fence extrusion (#22). Position the zero mark of the self-adhesive center-reading tape (#25) at the pencil mark and remove the protective backing as you adhere the tape to the extrusion. With the tape adhered, trim the excess flush with each end of the extrusion with metal snips.



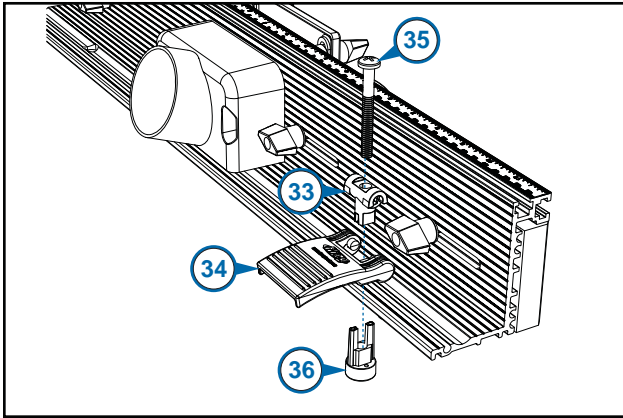
Step 9

Install the two fence faces (#26) using two 1/4-20 x 1 1/2" flat head machine screws (#27) inserted through the front of each fence face. Secure the machine screws at the back with two 1/4" brass flat washers (#28) and two T-knobs (#29) for each fence face.



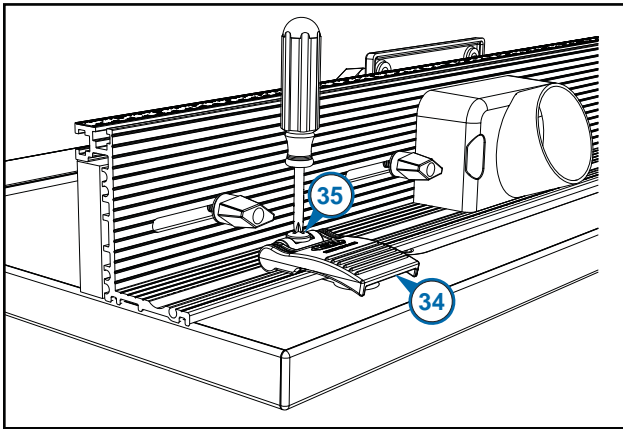
Step 10

Assemble the bit guard (#30) using two ¼-20 x 1¼" T-bolts (#31), two spacers (#32), two ¼" brass flat washers (#28), and two T-knobs (#29), as shown. Slide the T-bolt heads into the T-slot at the top front edge of the fence extrusion and tighten the knobs.



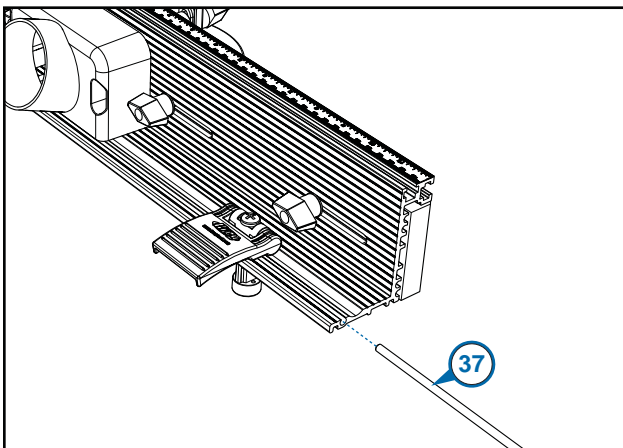
Step 11

Assemble the cam clamps using the cam posts (#33), cam levers (#34), ¼-20 x 2½" Phillips panhead machine screws (#35) and clamp anchors (#36). Snap the cam posts onto the cam-lever studs. Slip the machine screws through the posts and drop the lever/post/machine screw assemblies through the holes in the base flange of the fence extrusion. Thread the machine screws into the clamp anchors until the tips of the anchor "fingers" engage the notches in the cam posts. [Because the anchor fingers engage the post notches, the anchors can't turn and bind in the table-top slots or change the cam-clamp tension.]



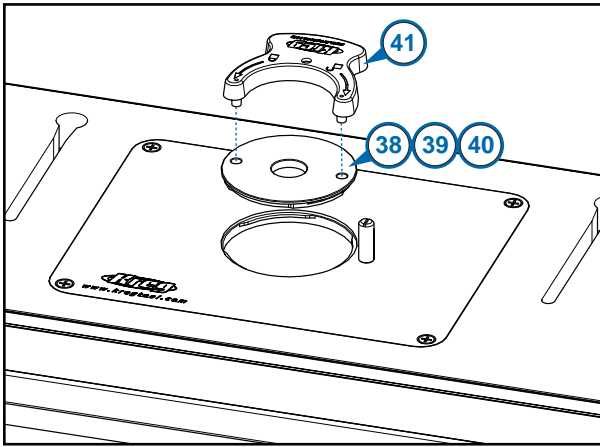
Step 12

Mount the assembled fence on the router-table top by dropping the clamp anchors (#36) through the key holes in the table top. With the cam levers (#34) flipped up in the vertical position and the lobes resting in the round-bottom groove in the fence extrusion, slide the fence forward, engaging the clamp anchors in the table-top fence slots. To adjust cam-clamp tension, flip the cam levers down into the horizontal position. Tighten the machine screws (#35) with a screw driver until the clamps are tight enough to hold the fence in place. Now when you lift the levers to release the fence, it should move freely.



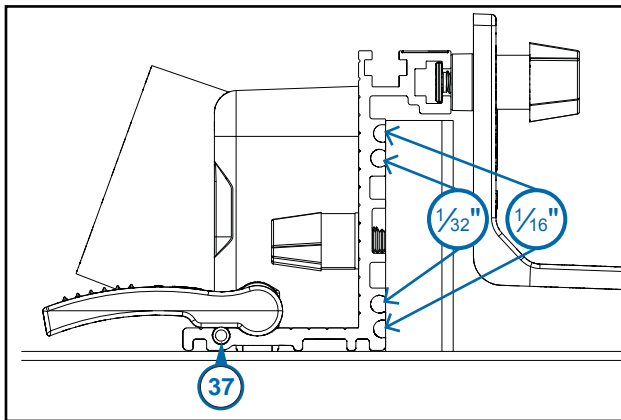
Step 13

To store the jointing rods (#37), slide them into the round channel at the back edge of the base flange of the fence extrusion. For instructions on how to use these rods for jointing on your router table, see JOINTING under the section USING YOUR ROUTER TABLE.



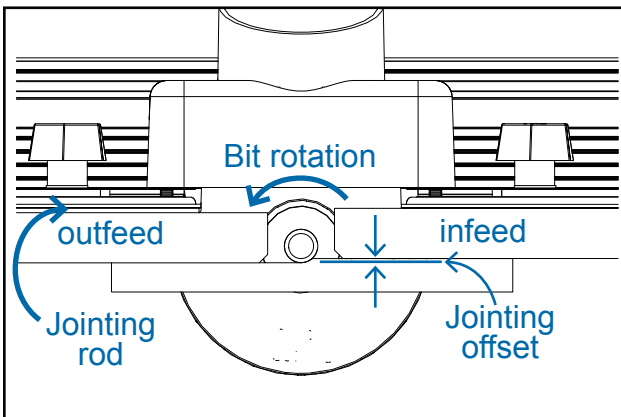
Reducing Rings

The Kreg Precision Insert Plate includes three reducing rings (#38, #39, #40) for flexibility in matching the size of the insert-plate opening to the diameter of the router bit in use. The ring with the rabbeted opening accepts standard Porter-Cable-style guide bushings, allowing you to use your router table for pattern routing. A set of five additional reducing rings is available from your Kreg dealer (Item #PRS3050). It includes one blank disk for making a zero-clearance ring. To install a reducing ring, simply drop it into the insert-plate opening and turn it by hand until it drops flush with the plate surface. Insert the pegs at the ends of the arms on the ring wrench (#41) into the mating holes in the reducer ring and rotate the ring counterclockwise. Rotation of about $\frac{3}{8}$ " is sufficient to lock the ring in place. To remove the ring, turn the wrench clockwise and lift the ring out of the opening.



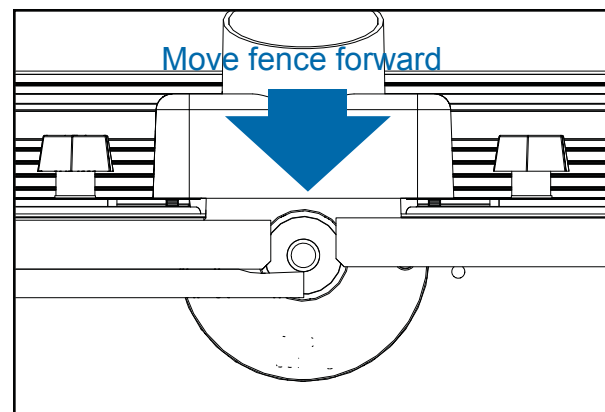
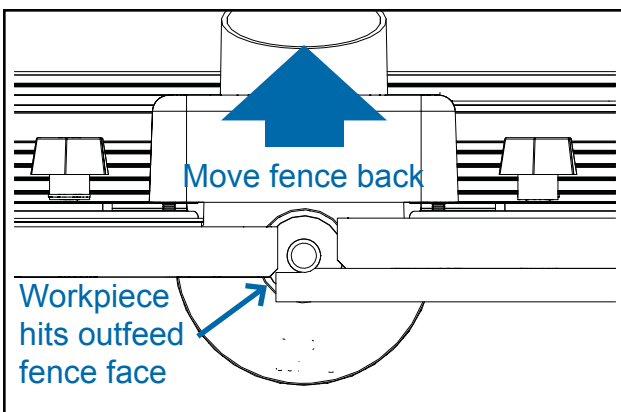
Jointing

The independently adjustable fence faces on the Kreg Precision Router Table Fence allow you to use your router table as a vertical jointer. To set up for jointing, remove the two jointing rods (#37) stored in the fence extrusion. Loosen the knobs securing the outfeed fence face. There are two sets of round channels in the fence extrusion behind the fence faces, which allow you to offset the outfeed fence face $\frac{1}{16}$ " or $\frac{1}{32}$ " from the infeed fence face. For a $\frac{1}{16}$ " offset, slide the rods into the shallower recesses. For a $\frac{1}{32}$ " offset, slide the rods into the deeper recesses. (When jointing, usually it is best to make light passes, so you'll probably use the $\frac{1}{32}$ " offset more frequently than the $\frac{1}{16}$ " offset.) With the rods in place, tighten the outfeed fence-face knobs.



Install a straight bit in the router. Placing a steel rule or a piece of wood with a straight edge against the outfeed fence face, position the fence so the bit just grazes the rule or the piece of wood. Any straight bit can be used for jointing, but a flush-trim bit is the easiest to set up. Because the bit guide bearing is the same diameter as the cutter, you can align the outfeed fence face with the bearing. An up-cut spiral bit produces an almost chatter-free surface, but is a little more difficult to align with the fence face.

Use a scrap piece of wood to test the setup. If, as you feed the scrap past the bit, it runs into the leading end of the outfeed fence face, the fence is too far forward and you're not removing enough material. Move the fence back a little. If you get snipe at the trailing edge of the scrap, the fence is too far back, and you're removing too much material. Move the fence forward.



Starting Pin

The starting pin included with your router table is useful when routing curves. It supports the edge of your work piece and allows you to gently ease your work into the router bit. It should only be used with router bits that have a guide bearing.

Start with your work piece touching the starting pin, but not in contact with the router bit. Ease the material into the cutter and make contact with the bit guide bearing. Always feed the workpiece so the router bit rotates against (not with) the feed direction. With the work piece in solid contact with the guide bearing, you can ease off of the starting pin and allow the work piece to glide along the guide bearing.

T-Slots

The fence extrusion features two T-slots, one on the top and one on the front face. Use T-bolts to attach feather boards and stops.

Center-Reading Tape Rule

Center the fence on the router bit and use the tape rule to position stops for routing stopped cuts or slots.

Fast-Action Fence Clamps

The cam-and-anchor fence clamps quickly secure and release the fence with the flip of a lever.

Optional Kreg Accessories

Stop

The T-slot on the top edge of the fence accepts the **Kreg PRS7850 Precision Router Table Stop** that flips out of the way when not in use.

Featherboards

The T-slot on the front face of the fence accepts **Kreg True-FLEX Featherboards, PRS3010** (single pack) or **PRS3020** (twin pack).

Switch

Add safety and convenience to your router table with this handy switch. Holes in the mounting flange of the **Kreg PRS7850 Multi-Purpose Router Table Switch** mate with holes in the router table stand for easy installation. Two receptacles allow control of two inputs and the Key-Loc™ feature eliminates accidental switching. Mounting hardware included.

Reducer Rings

Augment the three reducer rings included with your router table with the **Kreg PRS3050 5-Ring Set**. The set includes $\frac{3}{4}$ ", $1\frac{3}{8}$ ", $1\frac{5}{8}$ ", and $2\frac{1}{8}$ " rings plus a blank disk for making a custom zero-clearance ring.

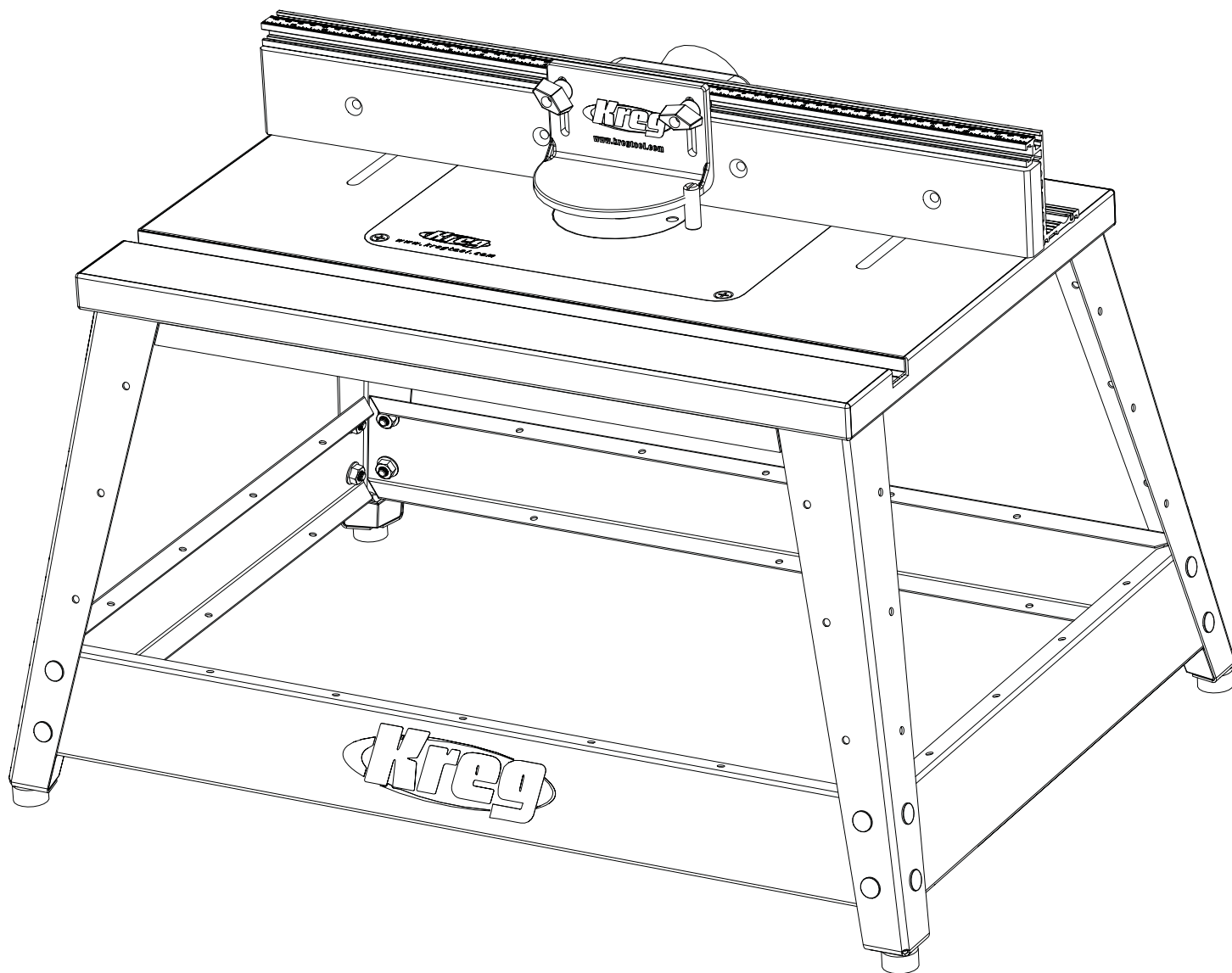
Safety Guidelines

- Failure to follow these rules may result in serious personal injury.
- WARNING:** This product contains one or more chemicals known to the State of California to cause cancer and birth defects or other reproductive harm. **Wash hands after handling.**
- Woodworking machines are dangerous, and can cause personal injury if not used properly.
- Completely read the operating manual and safety instructions for the machine before use. Learn the applications and limitations of the machine as well as the hazards specific to it. Operating the machine before understanding safe and proper use could result in serious personal injury.
- Keep all guards and safety devices properly installed while using the machine.
- Always wear safety glasses.
- Keep hands well away from the rotating bit when operating the machine. Never overreach.
- Avoid awkward hand positions, where a sudden slip could cause contact with the rotating bit.
- Avoid kickbacks. Kickbacks occur when the workpiece binds while being routed, causing it to twist, jump, and possibly become airborne. To avoid kick backs and potential injury, always follow proper technique, use sharp bits, keep the machine aligned and maintained properly, and adequately secure and support the workpiece. To free both hands for tool operation, use clamps or a vise to hold work when it is practical and safe.
- Turn off the machine before making adjustments. Never adjust the fence, plate, reducing rings, or any other part of the machine while it is running.
- Make sure the machine comes to a complete stop before adjusting the position of a workpiece.
- Ground electric machines. If the machine is equipped with a three-prong plug, it should only be plugged into a grounded three-hole electrical outlet. If the proper outlet is not available, have one installed by a qualified electrician. Never remove the third prong or modify the provided plug in any way.
- Do not operate the machine in a dangerous or unclean environment. Do not use the machine in damp or wet locations, or expose it to rain. Keep the work area well-lit, un-cluttered, and clean.
- Keep all children and visitors at a safe distance from the work area. Children and visitors should not operate machinery under any condition.
- Make your workshop "child-proof". Use padlocks, master switches, or other means necessary to prevent unauthorized use of machinery.
- Use the right machine for the task. Never "force" a machine to do work for which it was not intended. If used properly under safe conditions, the machine will produce better results in less time.
- Wear proper apparel. Avoid loose clothing, gloves, neckties, rings, bracelets, or any other jewelry that could get caught in moving parts. Wear non-slip footwear and protective hair covering specifically designed as safety gear.
- Secure machinery to prevent tipping or sliding.
- Keep proper footing and balance to avoid slipping or sliding when you turn on machinery.
- Maintain tools in top condition. For the highest quality and safest performance, keep bits sharp and clean and machinery properly maintained. Follow all lubrication and accessory maintenance practices detailed in the instruction manual.
- Disconnect the machine from electrical power before servicing. When changing accessories such as bits and clamps, making any sort of physical assessment of the machine, or when the motor is being mounted or connected, disconnect the machine from the power source.
- Check for damaged parts. Before using the machine, make a careful assessment of all guards and other parts to ensure that the machine will operate properly and perform as intended. Check moving parts for alignment, binding, breakage, mounting, and any other conditions that may affect its operation. A guard or other part that is damaged should be properly repaired or replaced as soon as possible, preceding any further use. Do not use the tool if you are not qualified to make these assessments.
- Never leave a running machine unattended. Always turn off the machine after operation. Do not leave the tool until it comes to a complete stop.
- Drugs, alcohol, medication warning: Do not operate machinery while under the influence of drugs, alcohol, or any medications.
- This machinery system is designed only for certain applications. Kreg Tool strongly recommends that this system NOT be modified and/or used for any applications other than those for which it is designed. If you have any questions relative to the application of the machinery system, DO NOT use the system until you have written, phoned, or e-mailed Kreg Tool and have been advised accordingly.

Precision Benchtop Router Table

MANUEL D'INSTRUCTIONS

Article PRS2100



Outils nécessaires:

- Embout de tournevis carré n° 2 (inclus)
- Clé hexagonale de 1/8 po (incluse)
- Tournevis cruciforme n° 2
- Tournevis à tête plate
- Clé à douille de 7/16 po
- Ruban adhésif à double face
- Perceuse à colonne ou perceuse à main
- Forets

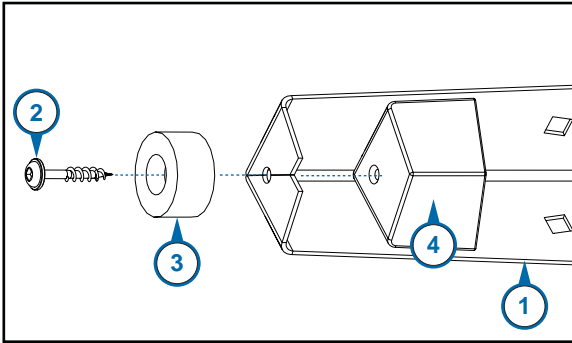
NK8008
Version 1 - 2/2013

1. Liste des pièces de la table à toupie pour établi

#	Description	N° de pièce	Quantité
1	MONTANTS	RT10180-2	4
2	VIS À FILETAGE NORMAL DE 1 PO	*	4
3	PIED EN CAOUTCHOUC	*	4
4	SUPPORT DE PIED	*	4
5	TRAVERSE COURTE	RT10180-1	2
6	TRAVERSE LONGUE	**	2
7	ENTRETOISE	**	2
8	BOULON DE CARROSSERIE À TÊTE PLATE DE ¼-20 X ½ PO	*	16
9	ÉCROU À EMBASE HEXAGONAL DE ¼ PO	*	16
10	PLATEAU	RT10150	1
11	COULISSE À GUIDE D'ONGLET	RT10174	1
12	VIS À TÊTE PLATE DE 5 MM X 20 MM	NK8023	3
13	PATIN RÉGLABLE POUR PLAQUE D'INSERTION	RT10100	4
14	VIS À FILETAGE NORMAL DE 1¼ PO	SML-C125	12
15	CLÉ HEXAGONALE DE ⅛ PO	AW18	1
16	VIS DE CALAGE À TÊTE CREUSE DE ¼-20 X 1½ PO	RT10111	8
17	VIS À FILETAGE NORMAL DE ¾ PO	*	16
18	PLAQUE D'INSERTION	NK7880	1
19	VIS À MÉTAUX À TÊTE CYLINDRIQUE LARGE À EMPREINTE CRUCIFORME DE 1/4-20 X 1¼ PO	RT10112	4
20	VIS DE CALAGE À TÊTE CREUSE DE ¼-20 X 1½ PO	DK1522	1
21	CHEVILLE DE DÉPART EN LAITON	RT10108	1
22	EXTRUSION DE GUIDE	RT10145	1
23	PORT POUR ASPIRATEUR	RT10151	1
24	VIS À MÉTAUX À TÊTE CYLINDRIQUE LARGE DE 10-32 X ⅜ PO	RT10153	2
25	RUBAN À LECTURE CENTRALE DE 121,92 CM	RT10140	1
26	FACE DE GUIDE	NK8023	2
27	VIS À MÉTAUX À TÊTE PLATE DE ¼-20 X 1½ PO	RT10152	4
28	RONDELLE PLATE EN LAITON DE ¼ PO	DK1504	6
29	BOUTON EN T	DK1313	6
30	PROTECTEUR DE MÈCHE	RT10133	1
31	BOULON EN T DE ¼-20 X 1¼ PO	FT4212	2
32	ESPACEUR	RT10134	2
33	PIVOT DE CAME	FT4245	2
34	LEVIER DE CAME	FT4139	2
35	VIS À MÉTAUX À TÊTE CYLINDRIQUE LARGE À EMPREINTE CRUCIFORME DE ¼-20 X 2½ PO	NK8011	2
36	DISPOSITIF D'ANCRAGE DE LA FIXATION	RT10148	2
37	TIGE DE DRESSAGE	RT10149	2
38	ANNEAU DE RÉDUCTION DE 1 PO	NK7773	1
39	ANNEAU DE RÉDUCTION POUR DOUILLE DE GUIDAGE	NK7775	1
40	ANNEAU DE RÉDUCTION DE 2⅝ PO	NK7774	1
41	CLÉ À ANNEAU	NK8003	1

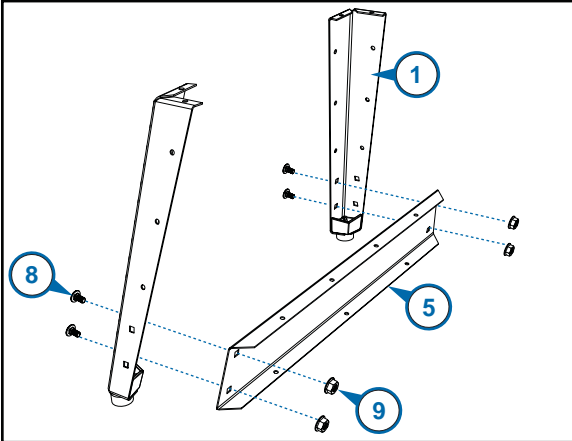
*Inclus dans la boîte de pièces RT10180-2

**Inclus dans la boîte de pièces RT10180-1



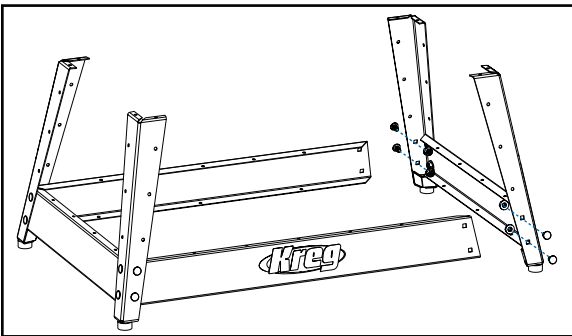
Étape 1

Ouvrez la boîte RT10180-2 et sortez-en les montants (n° 1) et l'ensemble de quincaillerie. Pour chaque montant, insérez une vis à filetage normal de 1 po (n° 2) à travers un pied en caoutchouc (n° 3) et à travers le trou situé au bas du montant, puis enfoncez la vis dans l'avant-trou du support de pied (n° 4). Prenez soin de ne pas serrer excessivement les vis afin d'éviter de dénuder les avant-trous des supports de pied.

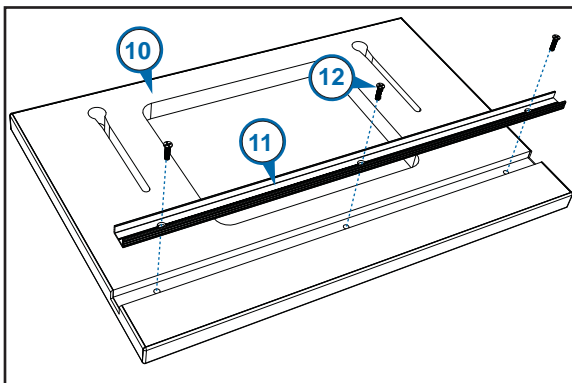


Étape 2

Ouvrez la boîte RT10180-1 et sortez-en les traverses courtes (n° 5), les traverses longues (n° 6) et les entretoises (n° 7). Fixez une traverse courte à chaque paire de montants (n° 1) à l'aide de quatre boulons de carrosserie à tête plate de ¼-20 x ½ po (n° 8) et de quatre écrous à embase hexagonaux de ¼ po (n° 9). Serrez les écrous à la main seulement pour l'instant.

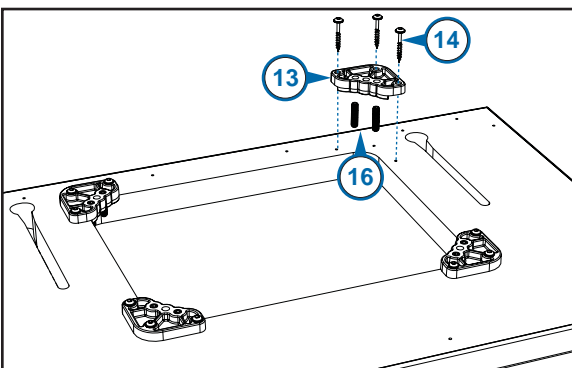


Joignez ensuite les ensembles montants/traverses courtes en fixant les traverses longues aux montants. Une fois de plus, serrez les écrous à la main seulement.



Étape 3

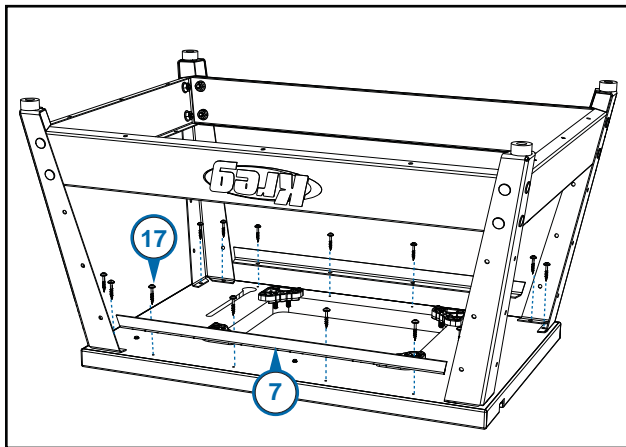
Au moment de l'expédition de l'article, la coulisse à guide d'onglet (n° 11) est en place sur le plateau (n° 10), mais elle n'est pas fixée. Fixez la coulisse à guide d'onglet à l'aide de trois vis à tête plate de 5 mm (n° 12), en les enfonçant dans les trous prépercés du plateau.



Placez le plateau à l'envers sur votre établi et posez un patin réglable pour plaque d'insertion (n° 13) dans chaque coin de l'ouverture du plateau, en ajustant la courbe de la partie surélevée du patin au coin arrondi de l'ouverture. Les trous du patin s'alignent sur les avant-trous du plateau. Fixez chaque patin au plateau à l'aide de trois vis à filetage normal de 1¼ po (n° 14).

À l'aide de la clé hexagonale de ⅜ po (n° 15), enfoncez une vis de calage à tête creuse de ¼-20 x 1½ po (n° 16) dans les trous extérieurs de chacun des patins, en la vissant à partir du bas jusqu'à ce que son extrémité soit située à 10 mm en dessous de la surface de la table.

3. Instructions pour l'assemblage de la table à toupie pour établi



Étape 4

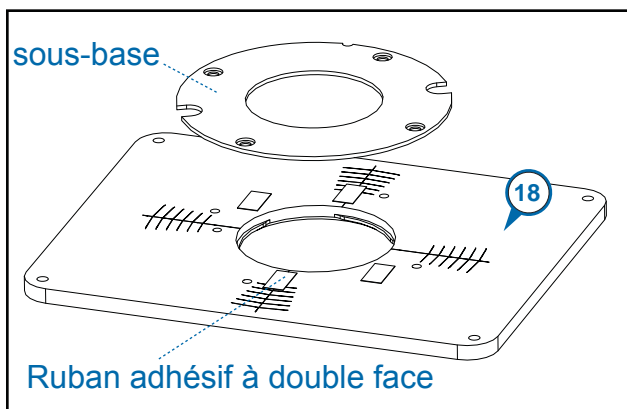
Placez les ensembles montants/traverses sur la surface inférieure du plateau de la table à toupie, en orientant le logo Kreg vers l'avant. (La coulisse à guide d'onglet est située sur le rebord avant du plateau.) Alignez les trous des brides supérieures des montants sur les avant-trous du plateau. Fixez les montants au plateau à l'aide de huit vis à filet normal de $\frac{3}{4}$ po (n° 17). Prenez soin de ne pas serrer excessivement les vis afin d'éviter de dénuder les avant-trous.

Serrez les 16 écrous de l'ensemble montants/traverses.

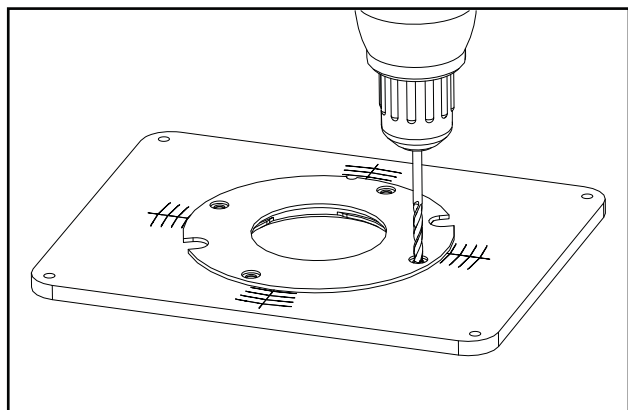
Placez les entretoises (n° 7) sur la surface inférieure du plateau (n° 10), le long des rebords longs. Alignez les trous des entretoises sur les avant-trous du plateau. Fixez les entretoises au plateau à l'aide de huit vis à filetage normal de $\frac{3}{4}$ po (n° 17).

Étape 5

Il n'y a pas de disposition standard pour les trous des vis à métaux qui servent à fixer la sous-base à une base de toupie. Il vous faudra percer vos propres trous dans la plaque d'insertion en fonction de votre toupie. Lorsque vous alignez la sous-base de toupie sur le motif de cible de la plaque d'insertion, réglez son orientation de façon à pouvoir accéder facilement aux commandes de la toupie une fois que la toupie et la plaque seront installées dans votre table à toupie. Les poignées de la toupie n'ont pas à être d'équerre par rapport à la table ou à la plaque pour permettre un fonctionnement adéquat. Lorsque vous fixez la toupie à la plaque d'insertion, assurez-vous de pouvoir accéder facilement à l'interrupteur, au dispositif de blocage de la profondeur et aux autres commandes.

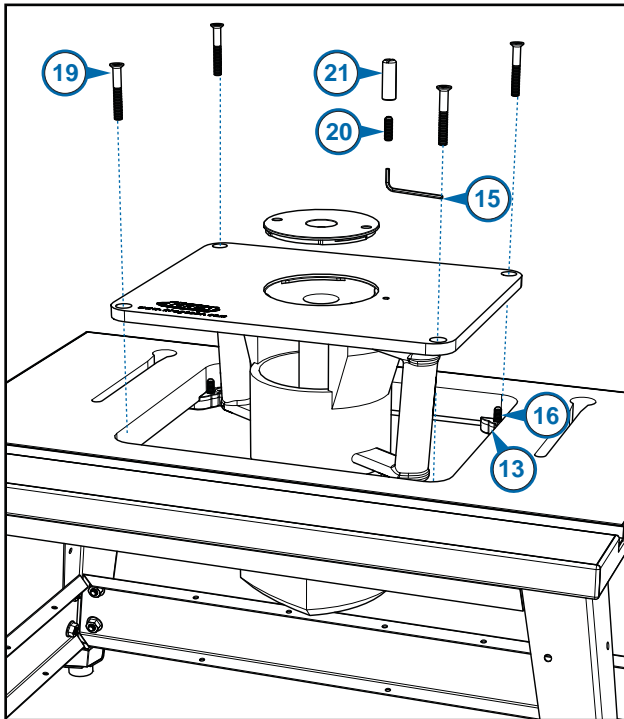


Placez la plaque d'insertion (n° 18) sur votre établi, en orientant le motif de cible vers le haut. Retirez la sous-base de votre toupie et sélectionnez un foret qui convient aux trous de montage. Si votre toupie est munie d'un dispositif de levage intégré, sélectionnez une mèche qui convient au trou d'accès du dispositif de levage. Appliquez plusieurs petits morceaux de ruban adhésif à double face sur la plaque d'insertion. Centrez ensuite la sous-base sur la plaque en utilisant les arcs concentriques du motif de cible comme guides. Songez à l'endroit où vous souhaitez que les commandes de la toupie soient situées. Assurez-vous qu'aucun des trous que vous vous apprêtez à percer n'est aligné sur le trou fileté de la cheville de départ. Pressez fermement la sous-base contre la plaque d'insertion.



En utilisant les trous de la sous-base comme guides, percez des trous dans la plaque d'insertion à l'aide d'une perceuse à colonne ou d'une perceuse à main. En réalisant cette étape à l'aide d'une perceuse à colonne, vous vous assurez que les trous sont perpendiculaires à la plaque. Avant de percer les trous, fixez la plaque d'insertion au plateau de votre perceuse à colonne ou à votre établi afin de l'empêcher de se déplacer pendant le perçage. Que vous utilisiez une perceuse à colonne ou une perceuse à main, disposez une retaille de bois sous la plaque d'insertion afin de réduire la fragmentation lorsque le foret traverse la plaque.

Une fois les trous percés, retirez la sous-base de la plaque d'insertion. Retournez la plaque et fraisez les trous de montage de façon à ce que la tête des vis à métaux repose légèrement en dessous de la surface de la plaque après le serrage. Rangez la sous-base de toupie dans un endroit commode. Vous en aurez besoin lorsque vous retirerez votre toupie de la table pour effectuer un touillage à la main.

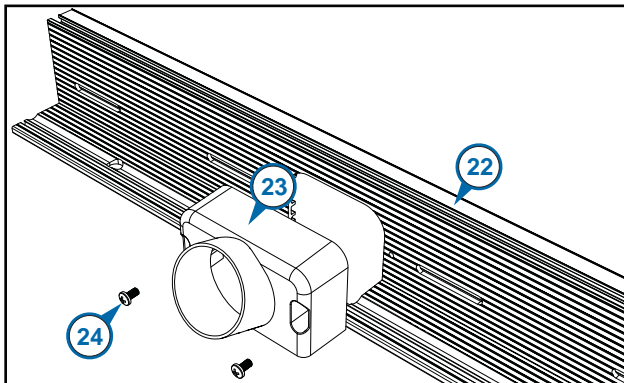


Étape 6

Fixez la base de toupie à la plaque d'insertion à l'aide des vis ayant servi à fixer la sous-base à la base de toupie. Selon l'épaisseur de la sous-base de toupie, il pourrait être nécessaire de vous procurer des vis plus longues. Assurez-vous que les vis sont assez longues pour s'enfoncer complètement dans la base de toupie. Si vous installez une toupie à base fixe, posez le moteur dans la base de toupie.

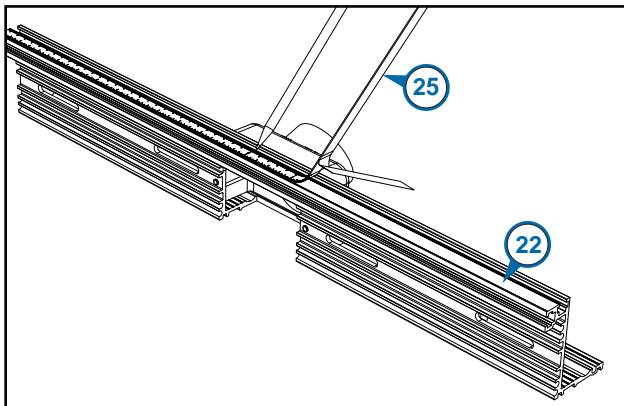
Placez la plaque d'insertion munie de la toupie dans l'ouverture du plateau, sur les huit vis de calage (n° 16) des patins réglables pour plaque d'insertion (n° 13). À l'aide de la clé hexagonale (n° 15), ajustez les vis de calage sous la table de façon à aligner les surfaces de la plaque et de la table. Vérifiez l'alignement à l'aide d'une règle en acier ou du rebord d'un panneau jointé. Assurez-vous que les huit vis de calage entrent en contact avec la plaque d'insertion de façon uniforme. Vissez les quatre vis à métaux de ¼-20 x 1¾ po (n° 19) à travers les trous fraisés de la plaque d'insertion et dans le trou central de chaque patin niveleur, puis serrez-les bien. Les vis à métaux et les vis de calage exercent une pression dans des directions opposées, de façon à fixer la plaque d'insertion en place. Vous pourriez devoir serrer ou desserrer les vis de verrouillage et les vis de calage pour ajuster l'alignement.

Vissez la vis de calage de ¼-20 x ¾ po (n° 20) au bas de la cheville de départ en laiton (n° 21) et serrez l'ensemble à l'aide d'un tournevis à tête plate et de la clé hexagonale de ⅝ po (n° 15). Vissez l'ensemble de cheville de départ dans le trou fileté de la plaque d'insertion et serrez-le.



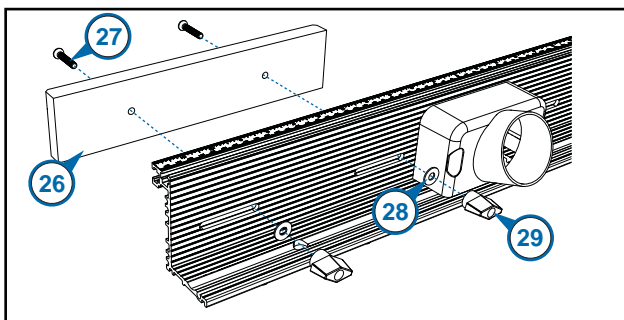
Étape 7

Fixez le port pour aspirateur (n° 23) au profilé du guide (n° 22) à l'aide de deux vis à métaux à tête large à empreinte cruciforme n° 10-32 x ¾ po (n° 24).



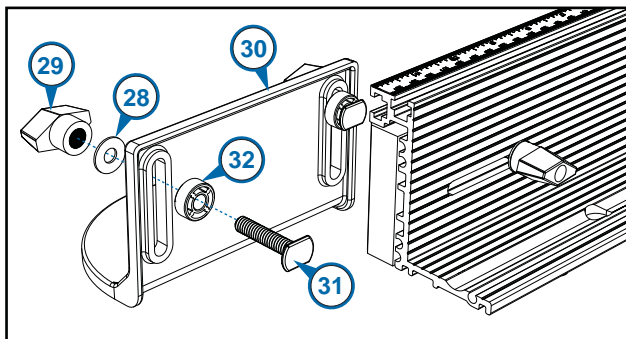
Étape 8

À l'aide d'un ruban à mesurer et d'un crayon, repérez et indiquez le point central du rebord supérieur du profilé du guide (n° 22). Placez le repère zéro du ruban à lecture centrale autoadhésif (n° 25) sur la marque tracée au crayon et retirez la pellicule protectrice tout en fixant le ruban au profilé. Une fois le ruban collé, coupez-en l'excédent à l'aide d'une cisaille à métaux de façon à ce qu'il soit de niveau avec chacune des extrémités du profilé.



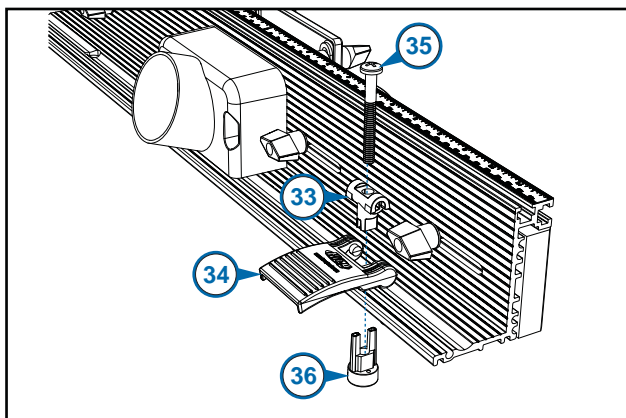
Étape 9

Installez les deux faces de guide (n° 26) en insérant deux vis à métaux à tête plate de ¼-20 x 1½ po (n° 27) à travers le devant de chaque face de guide. Fixez les vis à métaux à partir de l'arrière. Utilisez deux rondelles plates en laiton de ¼ po (n° 28) et deux boutons en T (n° 29) pour chaque face de guide.



Étape 10

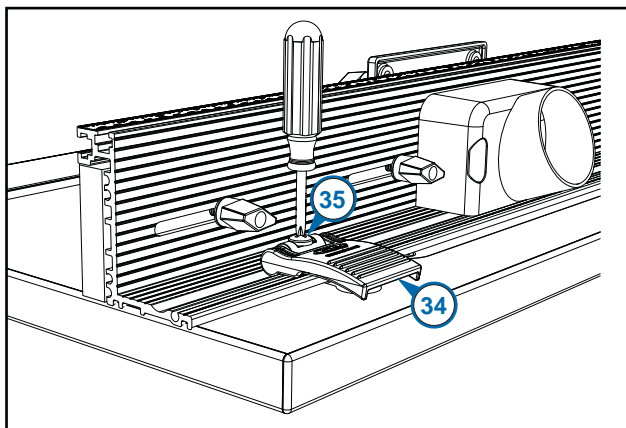
Assemblez le protecteur de mèche (n° 30) à l'aide de deux boulons en T de ¼-20 x 1¼ po (n° 31), deux espaceurs (n° 32), deux rondelles plates en laiton de ¼ po (n° 28) et deux boutons en T (n° 29), tel qu'il est illustré. Glissez la tête des boutons en T dans l'encoche en T du rebord supérieur avant du profilé du guide et serrez les boutons.



Étape 11

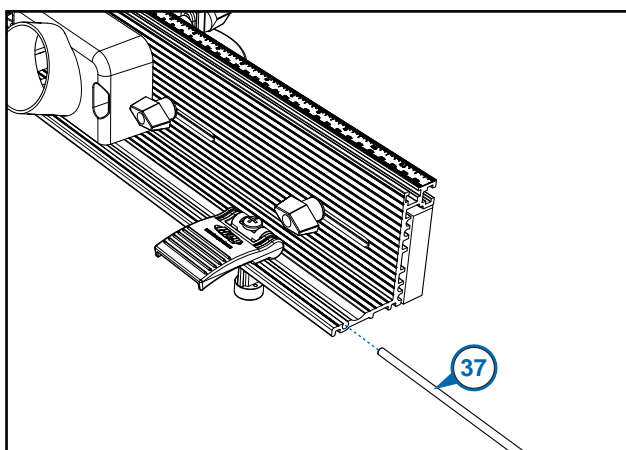
Assemblez les fixations à came à l'aide des pivots de came (n° 33), des leviers de came (n° 34), des vis à métaux à tête large à empreinte cruciforme (n° 35) et des dispositifs d'ancrage de la fixation (n° 36). Fixez les pivots de came aux goujons des leviers à came. Glissez les vis à métaux à travers les pivots et faites passer les ensembles levier/pivot/vis à métaux à travers les trous de l'embase inférieure du profilé du guide.

Serrez les vis à métaux aux dispositifs d'ancrage de la fixation jusqu'à ce que le bout des « doigts » des dispositifs d'ancrage s'enclenche dans les encoches des pivots de came. (Comme les « doigts » des dispositifs d'ancrage s'enclenchent dans les encoches des pivots, les dispositifs d'ancrage ne peuvent pas tourner et se coincer dans les encoches du plateau ni modifier la tension des fixations à came.)



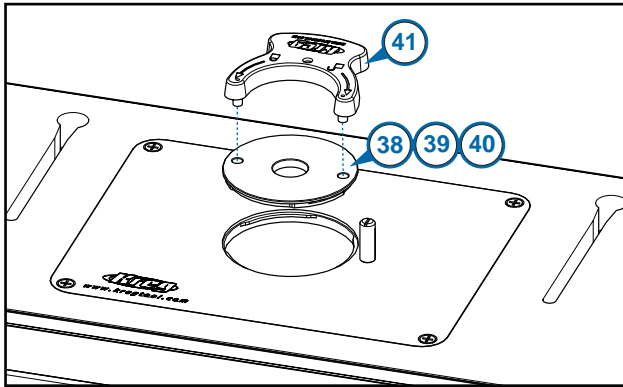
Étape 12

Fixez le guide assemblé au plateau de la table à toupie en glissant les dispositifs d'ancrage de la fixation (n° 36) à travers les encoches en trou de serrure du plateau. Une fois que les leviers à came (n° 34) sont en position verticale et que les lobes reposent dans la rainure à partie inférieure ronde du profilé du guide, glissez le guide vers l'avant en enclenchant les dispositifs d'ancrage de la fixation dans les fentes du guide de plateau. Pour régler la tension des fixations à came, placez les leviers de came en position horizontale. Serrez les vis à métaux (n° 35) à l'aide d'un tournevis jusqu'à ce que les fixations soient suffisamment serrées pour maintenir le guide en place. Dorénavant, lorsque vous soulèverez les leviers pour dégager le guide, il devrait se déplacer librement.



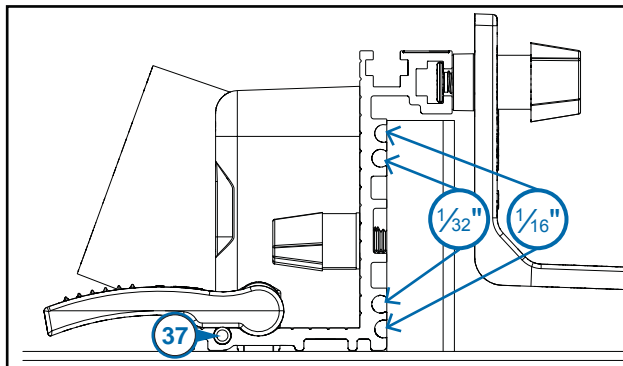
Étape 13

Pour ranger les tiges de dressage (n° 37), glissez-les dans la rainure ronde du rebord arrière de l'embase inférieure du profilé du guide. Pour des instructions sur la façon d'utiliser ces tiges à des fins de dressage sur votre table à toupie, consultez la partie « DRESSAGE » de la section « UTILISATION DE VOTRE TABLE À TOUPIE ».



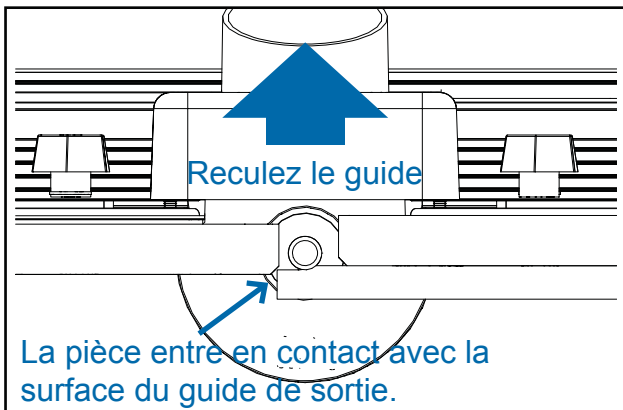
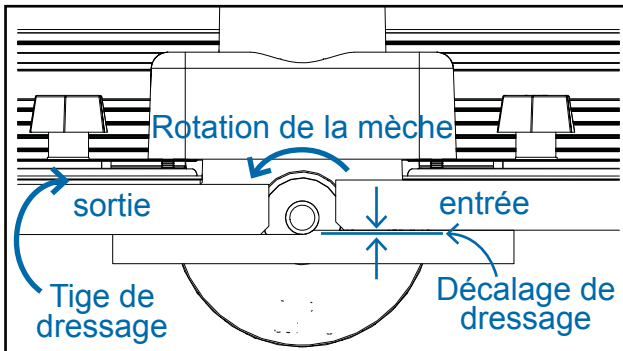
Anneaux de réduction

La plaque d'insertion de précision Kreg inclut trois anneaux de réduction (n° 38, n° 39 et n° 40) pour plus de souplesse quant à l'agencement de la taille de l'ouverture de la plaque d'insertion au diamètre de la mèche de toupie utilisée. L'anneau muni d'une ouverture à feuillure convient aux douilles de guidage standard de style Porter Cable; vous pouvez donc utiliser votre table à toupie pour le touillage de motifs. Votre détaillant Kreg offre un ensemble de cinq anneaux de réduction supplémentaires (article #PRS3050). Celui-ci inclut un disque vierge pour un anneau sans dégagement. Pour installer un anneau de réduction, glissez-le simplement dans l'ouverture de la plaque d'insertion et tournez-le à la main jusqu'à ce qu'il soit de niveau par rapport à la surface de la plaque. Insérez les taquets situés aux extrémités des bras de la clé à anneau (n° 41) dans les trous d'accouplement de l'anneau de réduction et tournez l'anneau dans le sens contraire des aiguilles d'une montre. Une rotation d'environ 10 mm suffit à verrouiller l'anneau en place. Pour retirer l'anneau, tournez la clé dans le sens des aiguilles d'une montre et soulevez l'anneau en dehors de l'ouverture.

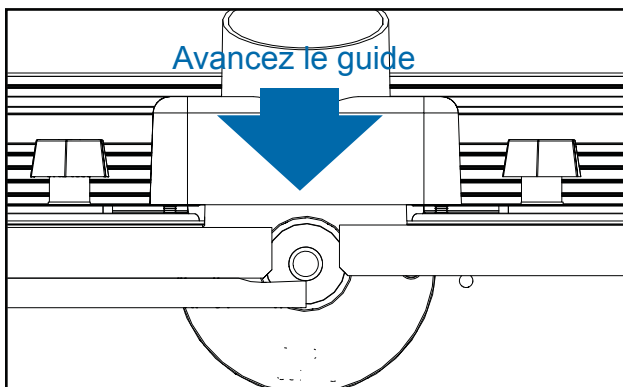


Dressage

Les faces de guide à ajustement indépendant du guide de table à toupie de précision Kreg vous permettent d'utiliser votre table à toupie comme dégauchisseuse verticale. En vue du dressage, retirez les deux tiges de dressage (n° 37) rangées dans l'extrusion de guide. Desserrez les boutons qui maintiennent la face de guide de sortie en place. Le profilé du guide comporte deux ensembles de rainures rondes derrière les faces de guide, ce qui vous permet de décaler la surface du guide de sortie de 1,59 mm ou de 0,79 mm par rapport à la surface du guide d'entrée. Pour un décalage de 1,59 mm, glissez les tiges dans les alvéoles moins profondes. Pour un décalage de 0,79 mm, glissez les tiges dans les alvéoles plus profondes. (Au moment du dressage, il est normalement préférable de faire plusieurs passes légères. Par conséquent, il est probable que vous opterez plus souvent pour un décalage de 0,79 mm que pour un décalage de 1,59 mm.) Une fois les tiges en place, serrez les boutons de la surface du guide de sortie.



Insérez une mèche droite dans la toupie. Tout en tenant une règle en acier ou un morceau de bois à rebord droit contre la surface du guide de sortie, placez le guide de façon à ce que la mèche effleure la règle ou le morceau de bois. N'importe quelle mèche à lame droite peut servir au dressage. Il est cependant plus facile d'installer une mèche à roulement. Puisque le roulement-guide de mèche est du même diamètre que la lame, vous pouvez aligner la surface du guide de sortie sur le roulement. Les mèches hélicoïdales à fraisage montant produisent une surface pratiquement sans brouture, mais elles sont un peu plus difficiles à aligner sur la surface du guide.



Utilisez une retaille de bois pour tester la configuration. Si la retaille se glisse dans l'extrémité avant de la surface du guide de sortie lorsque vous la taillez, le guide est trop avancé et vous ne taillez pas suffisamment de bois. Reculez un peu le guide. Si vous obtenez une entaille au rebord arrière de la retaille, le guide est trop reculé et vous entamez trop le bois. Avancez le guide.

Cheville de départ

La cheville de départ incluse avec votre table à toupie est utile pour découper des courbes. Elle soutient le rebord de la pièce travaillée, ce qui vous permet d'approcher cette dernière de la mèche de la toupie en douceur. Ne l'utilisez qu'avec les mèches de toupie à roulement-guide.

Appuyez d'abord la pièce travaillée sur la cheville de départ, mais non sur la mèche de la toupie. Glissez lentement le matériau vers la lame et mettez-le en contact avec le roulement-guide. Glissez toujours la pièce travaillée de façon à ce que la mèche de la toupie tourne dans le sens contraire de l'alimentation. Une fois que la pièce travaillée est solidement en contact avec le roulement-guide, vous pouvez décoller la pièce travaillée de la cheville de départ et la laisser glisser le long du roulement-guide.

Encoches en T

Le profilé de guide est muni de deux encoches en T : une sur le dessus et une sur la surface avant. Fixez les guides d'appui et les butées à l'aide des boulons en T.

Mesure à ruban à lecture centrale

Centrez le guide sur la mèche de toupie et placez les butées à l'aide de la mesure à ruban pour les encoches et les coupes interrompues.

Fixations de guide à action rapide

Les fixations de guide à came et à dispositif d'ancrage permettent de fixer et de relâcher rapidement le guide en actionnant un levier.

Accessoires Kreg en option

Butée

L'encoche en T du rebord supérieur du guide convient à la butée pour table à toupie de précision **PRS7850 de Kreg**, que vous pouvez basculer de côté lorsque vous ne l'utilisez pas.

Guides d'appui

L'encoche en T de la surface avant du guide convient aux guides d'appui **True-FLEX de Kreg : PRS3010 (emballage simple) ou PRS3020 (emballage double)**.

Interrupteur

Cet interrupteur pratique rehausse la sécurité et la commodité de votre table à toupie. Les trous de la bride de montage de l'interrupteur pour table à toupie tout usage PRS7850 de Kreg s'alignent sur les trous du support de table à toupie pour une installation facile. Les deux prises permettent le recours à deux entrées et la fonction Key-Loc™ prévient les mises en marche accidentelles. La quincaillerie de fixation est incluse.

Anneaux de réduction

Ajoutez aux trois anneaux de réduction inclus avec votre table à toupie l'ensemble de **5 anneaux PRS3050 de Kreg**. L'ensemble inclut des anneaux de 19,05 mm, 3,49 cm, 4,13 cm et 5,4 cm, ainsi qu'un disque vierge pour un anneau sans dégagement.

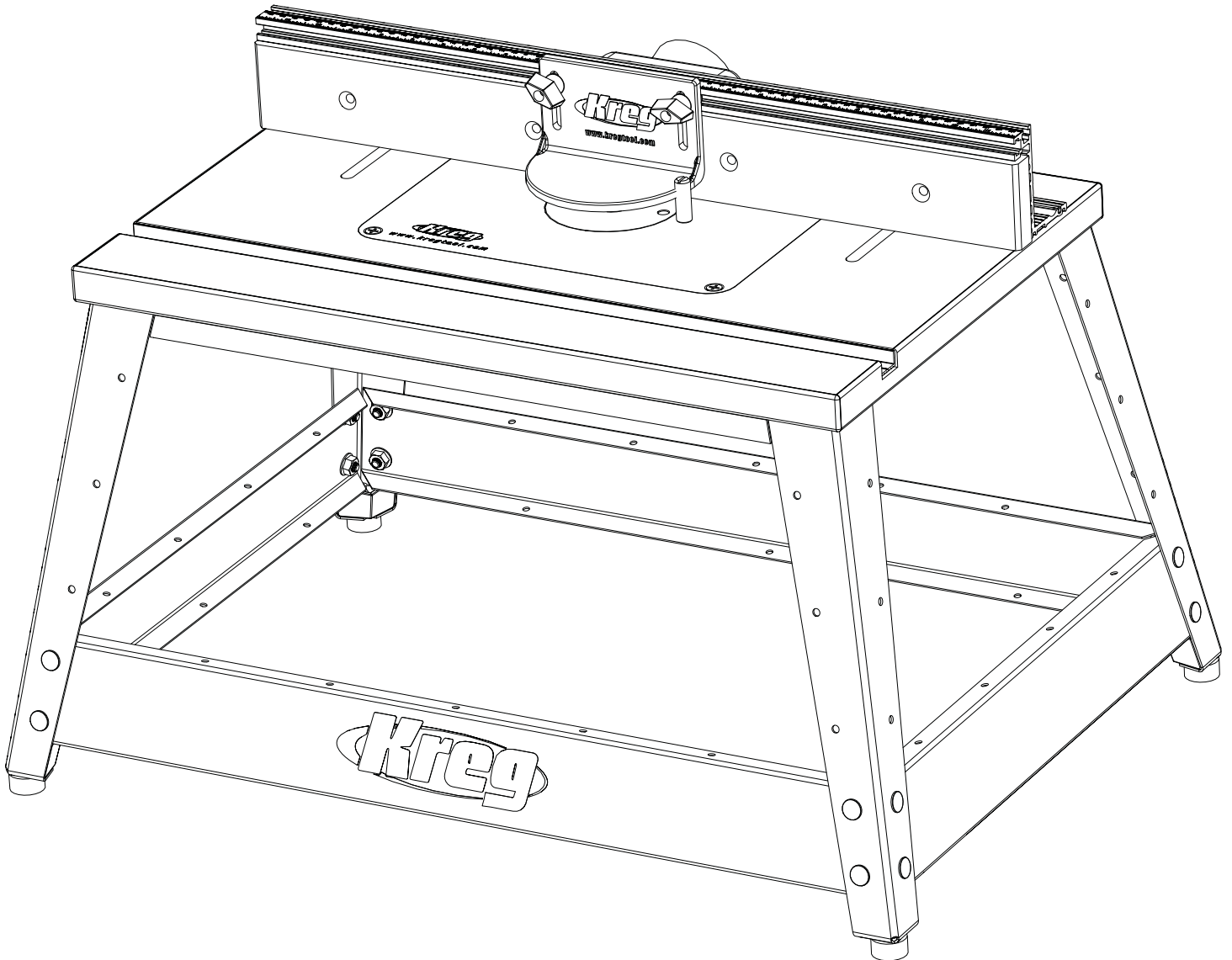
Consignes de sécurité

- Le non-respect de ces consignes peut causer des blessures graves.
- AVERTISSEMENT** : Cet article contient un ou plusieurs produits chimiques reconnus par l'État de la Californie comme étant la cause de cancers, d'anomalies congénitales et d'autres problèmes liés aux fonctions reproductrices. **Lavez-vous les mains après l'avoir manipulé.**
- Les appareils conçus pour le travail du bois sont dangereux et peuvent causer des blessures s'ils ne sont pas utilisés correctement.
- Lisez l'intégralité du mode d'emploi et des consignes de sécurité de l'appareil avant de l'utiliser. Assurez-vous de connaître le fonctionnement et les restrictions de l'appareil ainsi que les risques potentiels liés à son utilisation. Le fait d'utiliser cet appareil sans comprendre la méthode sécuritaire et adéquate peut entraîner des blessures graves.
- Maintenez tous les protecteurs et les dispositifs de sécurité bien en place lorsque vous utilisez cet appareil.
- Portez toujours des lunettes de sécurité.
- Gardez vos mains loin de la mèche lorsque vous utilisez l'appareil. Ne vous étirez jamais pour étendre votre portée.
- Évitez de placer les mains à un endroit où elles risquent d'entrer en contact avec la mèche si la pièce travaillée glisse soudainement.
- Prévenez les rebonds. Ceux-ci se produisent lorsque la pièce se coince pendant qu'elle est engagée dans la toupie, ce qui risque de tordre la pièce, de la faire sauter et de la projeter en l'air. Afin d'éviter les rebonds et les blessures qu'ils peuvent causer, adoptez toujours la méthode appropriée, utilisez des mèches affûtées, maintenez l'appareil bien aligné et entretenu et assurez-vous que la pièce travaillée est bien fixée et soutenue. Pour pouvoir utiliser l'outil à deux mains, utilisez des serre-joints ou un étau pour fixer la pièce travaillée lorsque cela est commode et sécuritaire.
- Arrêtez l'appareil avant d'apporter des ajustements. N'ajustez jamais le guide, la plaque, les anneaux de réduction ni toute autre pièce de l'appareil pendant qu'il est en marche.
- Assurez-vous que l'appareil est complètement arrêté avant d'ajuster l'emplacement de la pièce travaillée.
- Branchez les appareils électriques sur une prise mise à la terre. Si l'appareil est muni d'une fiche à trois broches, branchez-le uniquement sur une prise de courant à trois alvéoles mise à la terre. Si vous ne disposez pas d'une telle prise, demandez à un électricien qualifié d'en installer une. Ne retirez jamais la troisième broche et ne modifiez jamais la fiche.
- N'utilisez pas l'appareil dans un environnement dangereux ou malpropre. N'utilisez pas l'appareil dans un endroit mouillé ou humide et ne l'exposez pas à la pluie. Gardez l'aire de travail bien éclairée, propre et dépourvue de débris.
- Gardez les enfants et les observateurs à une distance sécuritaire de l'aire de travail. Les enfants et les observateurs ne doivent en aucun cas utiliser l'appareil.
- Empêchez les enfants d'accéder à votre atelier. Utilisez des cadenas, un interrupteur général ou tout autre moyen nécessaire afin de prévenir toute utilisation non autorisée de l'appareil.
- Utilisez l'appareil convenant à votre tâche. Ne tentez jamais d'utiliser un appareil pour effectuer un travail pour lequel il n'est pas conçu. L'appareil sera plus efficace si vous l'utilisez de façon appropriée et sécuritaire.
- Portez des vêtements appropriés. Ne portez pas de vêtements amples, de gants ou de cravate, ni de bague, de bracelet ou tout autre bijou qui pourrait s'accrocher dans les pièces en mouvement. Portez des chaussures à semelle antidérapante et une coiffure expressément conçue pour être utilisée comme dispositif de protection.
- Fixez l'appareil en place afin de prévenir les basculements et les glissements.
- Gardez une posture sécuritaire et un bon équilibre afin d'éviter de glisser lorsque vous mettez l'appareil en marche.
- Maintenez les outils dans un état optimal. Pour des résultats d'une qualité maximale et le rendement le plus sécuritaire possible, gardez les mèches bien affûtées et propres et entretenez adéquatement l'appareil. Suivez toutes les consignes d'entretien et de lubrification détaillées dans le manuel d'instructions.
- Débranchez l'appareil avant de procéder à son entretien. N'oubliez pas de débrancher l'appareil lorsque vous changez des accessoires, comme les mèches et les serre-joints, lorsque vous effectuez une évaluation quelconque de l'appareil ou lorsque vous montez ou connectez le moteur.
- Vérifiez si des pièces sont endommagées. Avant d'utiliser l'appareil, inspectez attentivement tous les protecteurs et les autres pièces afin de déterminer si l'appareil fonctionnera correctement et accomplira les tâches prévues. Vérifiez si les pièces mobiles sont désalignées, bloquées, brisées ou mal montées, ou si elles sont dans un quelconque état pouvant nuire au fonctionnement de l'appareil. Si un protecteur ou toute autre pièce est endommagé, vous devez le réparer ou le remplacer correctement dès que possible, avant de poursuivre l'utilisation. N'utilisez pas l'outil si vous n'êtes pas qualifié pour faire ces évaluations.
- Ne laissez jamais un appareil en marche sans surveillance. Arrêtez toujours l'appareil après l'utilisation. Ne vous éloignez pas de l'outil tant qu'il ne s'est pas complètement arrêté.
- Avertissement en ce qui a trait à la consommation de drogues, d'alcool et de médicaments : N'utilisez aucun appareil lorsque vous êtes sous l'effet de drogues, d'alcool ou de médicaments.
- Ce système a été conçu pour certaines utilisations seulement. Kreg Tool recommande fortement de ne PAS modifier ce système ni de l'utiliser pour un usage autre que ceux pour lesquels il a été conçu. Pour toute question en ce qui a trait à l'utilisation du système, communiquez avec Kreg Tool par écrit, par téléphone ou par courriel afin d'obtenir de l'aide AVANT d'utiliser le système.



Precision Benchtop
Router Table
MANUAL DE INSTRUCCIONES

Artículo # PRS2100



Herramientas necesarias:

- Punta de destornillador cuadrada #2 (incluida)
- Llave hexagonal de 1/8 pulg (incluida)
- Destornillador Phillips #2
- Destornillador de cabeza plana
- Llave de tuercas de 7/16 pulg
- Cinta doble faz
- Prensa taladradora o taladro manual
- Brocas para taladro

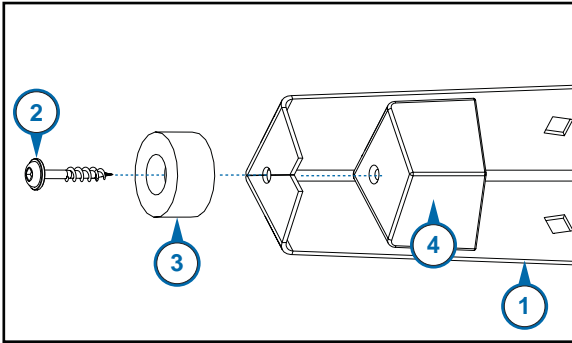
NK8008
Version 1 - 2/2013

1. Lista de piezas de mesa para rebajadora para banco

#	Descripción	Pieza #	Cantidad
1	PATAS	RT10180-2	4
2	TORNILLOS DE ROSCA GRUESA DE 1"	*	4
3	PATAS DE GOMA	*	4
4	SOPORTES DE LAS PATAS	*	4
5	RIELES CORTOS	RT10180-1	2
6	RIELES LARGOS	**	2
7	SOPORTES	**	2
8	PERNOS CABEZA DE HONGO PLANOS DE ¼-20 X ½"	*	16
9	TUERCA DE BRIDA HEXAGONAL DE ¼"	*	16
10	CUBIERTA DE MESA	RT10150	1
11	RIEL A INGLETE	RT10174	1
12	TORNILLOS DE CABEZA PLANA DE 5 MM X 20 MM	NK8023	3
13	NIVELADORES DE PLACA DE ACCESORIO	RT10100	4
14	TORNILLOS DE ROSCA GRUESA DE 1¼"	SML-C125	12
15	LLAVE HEXAGONAL DE ⅛"	AW18	1
16	TORNILLOS DE AJUSTE CON CABEZA DE LLAVE DE ¼-20 X 1½"	RT10111	8
17	TORNILLOS DE ROSCA GRUESA DE ¾"	*	16
18	PLACA DE ACCESORIO	NK7880	1
19	TORNILLOS PARA METALES DE CABEZA PLANA PHILLIPS DE ¼-20 X 1¾"	RT10112	4
20	TORNILLO DE AJUSTE CON CABEZA DE LLAVE DE ¼-20 X ¾"	DK1522	1
21	PASADOR DE INICIO DE LATÓN	RT10108	1
22	EXTRUSIÓN DE LA GUÍA	RT10145	1
23	PUERTO DE SUCCIÓN	RT10151	1
24	TORNILLOS PARA METALES DE CABEZA PLANA DE 10-32 X ⅜"	RT10153	2
25	CINTA DE MEDICIÓN CENTRAL DE 48"	RT10140	1
26	CARAS DE LA GUÍA	NK8023	2
27	TORNILLO PARA METALES DE CABEZA PLANA DE ¼-20 X 1½"	RT10152	4
28	ARANDELA PLANA DE LATÓN DE ¼"	DK1504	6
29	PERILLAS EN T	DK1313	6
30	PROTECCIÓN PARA BROCAS	RT10133	1
31	PERNOS EN T DE ¼-20 X 1¼"	FT4212	2
32	ESPACIADORES	RT10134	2
33	POSTES DE LEVA	FT4245	2
34	PALANCAS DE LEVA	FT4139	2
35	TORNILLOS PARA METALES DE CABEZA PLANA PHILLIPS DE ¼-20 X 2½"	NK8011	2
36	ANCLAS DE EXPANSIÓN DE ABRAZADERA	RT10148	2
37	VARILLAS DE UNIÓN	RT10149	2
38	ANILLO REDUCTOR DE 1"	NK7773	1
39	ANILLO REDUCTOR DEL CONECTOR DE LA GUÍA	NK7775	1
40	ANILLO REDUCTOR DE 2½"	NK7774	1
41	LLAVE DE ANILLO	NK8003	1

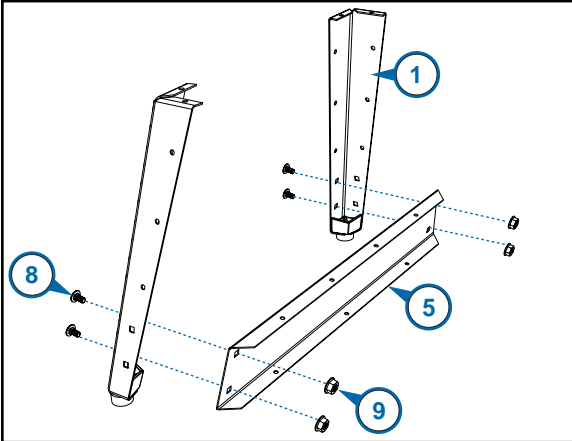
*Se incluye en la caja de piezas RT10180-2

**Se incluye en la caja de piezas RT10180-1



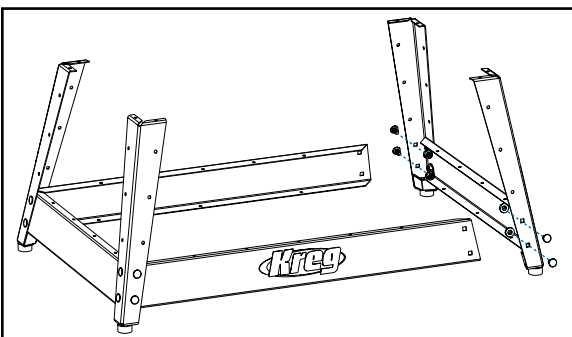
Paso 1

Abra la caja del empaque interno RT10180-2 y retire las patas (#1) y el paquete de aditamentos. En cada pata, inserte un tornillo de rosca gruesa de 1" (#2) en una pata de goma (#3), a través del orificio en la parte inferior de cada pata y luego inserte el tornillo en el orificio piloto del soporte de las patas (#4). Tenga cuidado de no rodar los orificios piloto del soporte de las patas apretando demasiado los tornillos.

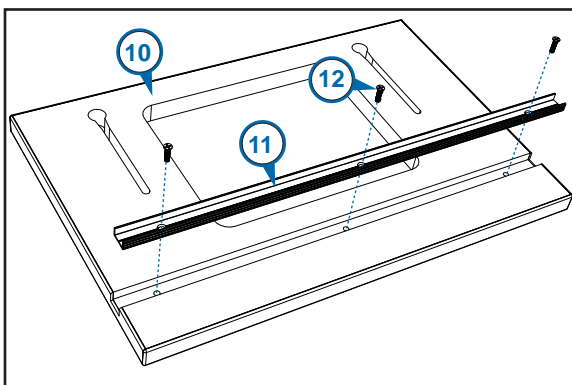


Paso 2

Abra la caja del empaque interno RT10180-1 y retire los rieles cortos (#5), los rieles largos (#6) y los soportes (#7). Emperne un riel corto a cada par de patas (#1) usando cuatro pernos cabeza de hongo planos de ¼-20 x ½" (#8) y cuatro tuercas de brida hexagonales de ¼" (#9) por riel. En este momento, solo apriete las tuercas con los dedos.

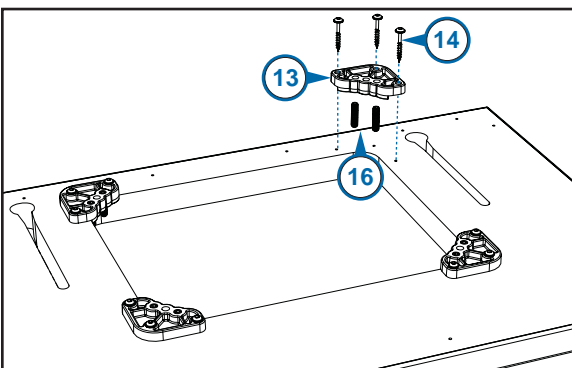


Ahora una los ensambles de pata/riel corto empernando los rieles largos con las patas. Nuevamente, solo apriete las tuercas con los dedos.



Paso 3

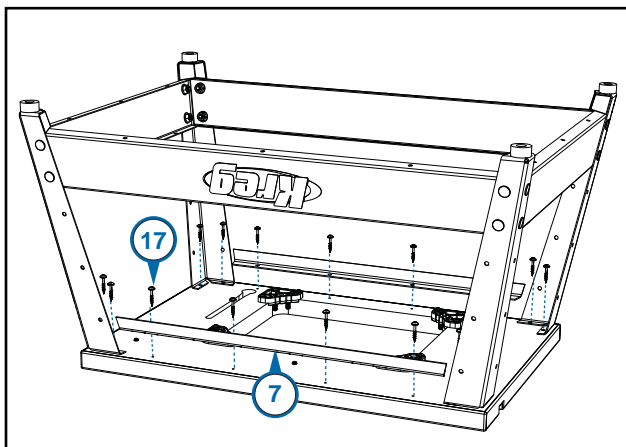
La cubierta de mesa (#10) está equipada con el riel a inglete (#11) en su lugar, pero no está fijo. Asegure el riel a inglete con tres tornillos de cabeza plana (#12), insertándolos en los orificios pretaladrados de la cubierta de la mesa.



Coloque la cubierta de la mesa boca abajo en su banca de trabajo y coloque un nivelador de placa de accesorio (#13) en cada esquina de la abertura de la cubierta de la mesa, haciendo coincidir la curva en la parte elevada del nivelador con la esquina de radio de la abertura. Los orificios en el nivelador se alinean con los orificios piloto de la cubierta de mesa. Fije cada nivelador a la cubierta de la mesa con tres tornillos de rosca gruesa de ¼" (#14).

Usando la llave hexagonal de ⅛" (#15), inserte un tornillo de ajuste con cabeza de llave de ¼-20 x ½" (#16) en los orificios exteriores en cada nivelador, apretándolos desde la parte inferior hasta que las puntas estén ⅜" por debajo de la superficie de la mesa.

3. Instrucciones de ensamblaje de la mesa para rebajadora para banco



Paso 4

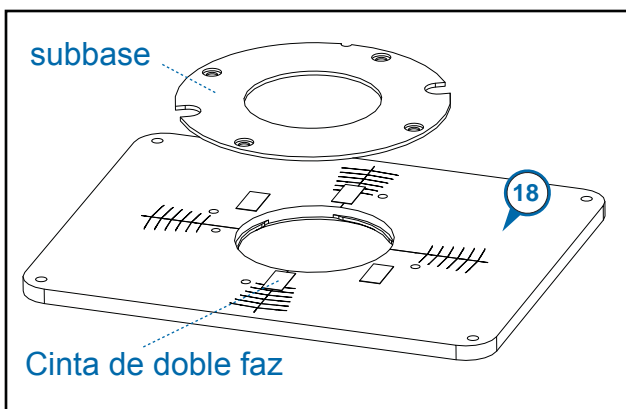
Coloque el ensamble de las patas/rieles en la superficie inferior de la cubierta de la mesa para rebajadora con el logotipo de Kreg hacia el frente. (El riel a inglete está en el borde frontal de la cubierta de la mesa). Alinee los orificios en las bridas superiores de las patas con los orificios piloto de la cubierta de la mesa. Fije las patas a la cubierta con ocho tornillos de rosca grande de $\frac{3}{4}$ " (#17). Tenga cuidado de no rodar los orificios piloto apretando demasiado los tornillos.

Apriete las seis tuercas del ensamble de pata/riel.

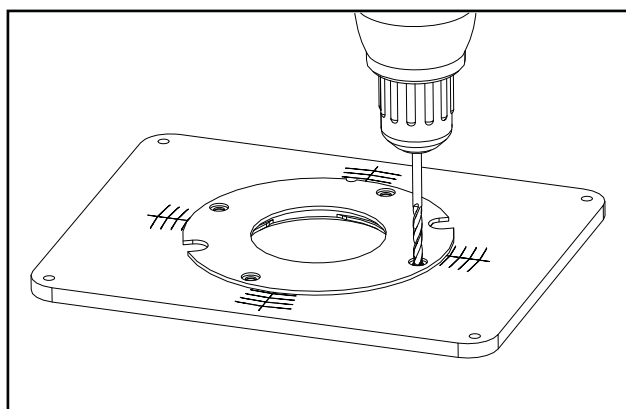
Coloque los soportes (#7) en la superficie inferior de la cubierta de la mesa (#10) a lo largo de los bordes largos. Alinee los orificios en los soportes con los orificios piloto de la cubierta de la mesa. Fije los soportes a la parte superior con ocho tornillos de rosca gruesa de $\frac{3}{4}$ " (#17).

Paso 5

No hay un diseño de orificios estándar para los tornillos para metales que fijan la subbase a la base de la rebajadora. Usted taladrará sus propios orificios en esta placa de accesorio para que calce en la rebajadora. Al alinear la subbase de la rebajadora con el diseño objetivo de la placa de accesorio, ajuste la orientación para que tenga acceso a los controles de la rebajadora al instalar la rebajadora y la placa en la mesa para rebajadora. Las manijas de la rebajadora no necesitan estar a escuadra con la mesa o la placa para una operación adecuada. Su primera prioridad debe ser un acceso fácil al interruptor de encendido y apagado, un bloqueo de ajuste profundo y otros controles, cuando fije la rebajadora a la placa de accesorio.

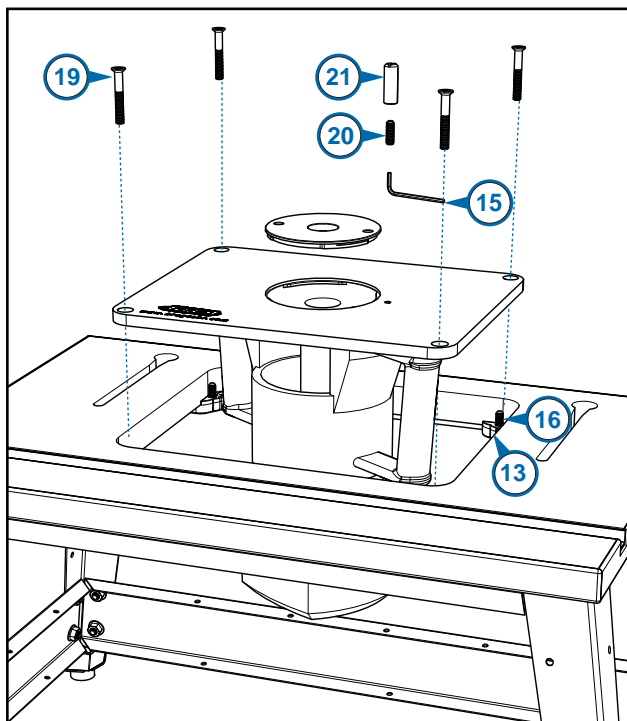


Coloque la placa de accesorio (#18) sobre el banco de trabajo con el diseño objetivo hacia arriba. Retire la subbase de la rebajadora y seleccione una broca para taladro que encaje en los orificios de montaje. Si su rebajadora está equipada con un sistema de elevación integrado, seleccione una broca que encaje en el orificio de acceso a la elevación. Aplique varios trozos de cinta de doble faz a la placa de accesorio. Ahora, centre la subbase de la placa, usando los arcos concéntricos del diseño objetivo como guía. Tenga presente el lugar donde desea ubicar los controles de la rebajadora. Asegúrese de que ninguno de los orificios que está por taladrar se alinee con el orificio roscado para el pasador de inicio. Presione la subbase firmemente sobre la placa de accesorio.



Usando los orificios en la subbase como guía, taladre los orificios en la placa de accesorio con una prensa taladradora o taladro manual. Realizar esta operación en una prensa taladradora asegura que los orificios queden perpendiculares a la placa. Antes de taladrar, sujete firmemente la placa de accesorio a la mesa o el banco de la prensa taladradora para evitar que se mueva al taladrar. Independientemente de si utiliza una prensa taladradora o un taladro de mano, coloque un trozo de madera que no utilice bajo la placa de accesorio para disminuir el desportillado cuando la broca para taladro pase por la placa.

Con los orificios taladrados, retire la subbase de la placa de accesorio. Voltee la placa de accesorio y avellane los orificios de montaje de modo que las cabezas de los tornillos para metales queden levemente bajo la superficie de la placa cuando los apriete. Almacene la subbase de la rebajadora en un lugar conveniente. Lo necesitará al retirar la rebajadora de la mesa para rebajadora para rebajar manualmente.

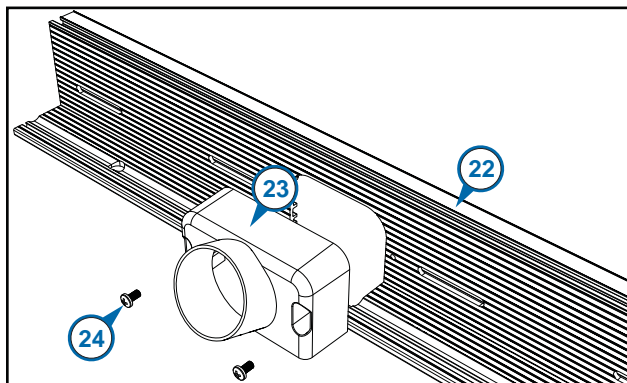


Paso 6

Fije la base de la rebajadora a la placa de accesorio, usando los tornillos que fijaron la subbase a la base de la rebajadora. Según el grosor de la subbase de la rebajadora, puede que sea necesario comprar tornillos más largos. Asegúrese de que los tornillos sean lo suficientemente largos para enroscarse por completo en la base de la rebajadora. Si va a montar una rebajadora de base fija, instale la unidad de motor en la base de la rebajadora.

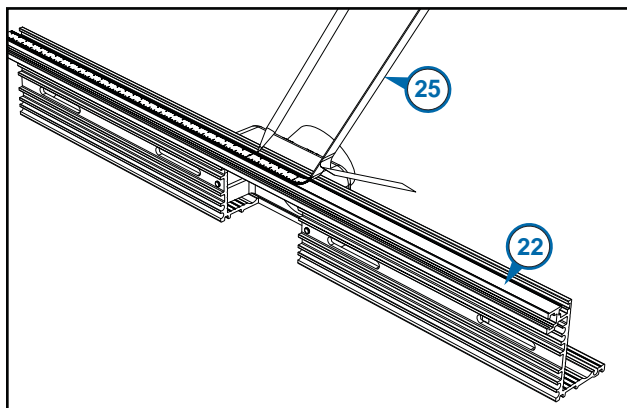
Coloque la placa de accesorio con la rebajadora fija en la abertura de la cubierta de la mesa, apoyándola en los ocho tornillos de ajuste (#16) en los niveladores de la placa (#13). Con la llave hexagonal (#15), ajuste los tornillos de fijación desde debajo de la mesa para alinearlos con las superficies de la placa y la mesa. Verifique la alineación con una regla de acero o el borde de una tabla unida. Asegúrese de que los ocho tornillos de fijación estén en igual contacto con la placa de accesorio. Atornille los cuatro tornillos para metales de $\frac{1}{4}$ -20 x $1\frac{3}{4}$ " (#19) a través de los orificios avellanados en la placa de accesorio y en el orificio central de cada nivelador y ajuste hacia abajo. Los tornillos para metales y de fijación aplican presión en direcciones opuestas, bloqueando la placa de accesorio en su lugar. Es posible que sea necesario soltar o apretar los tornillos para ajustar con precisión el alineamiento.

Atornille el tornillo de ajuste de $\frac{1}{4}$ -20 x $\frac{3}{4}$ " (#20) en la parte inferior del pasador de inicio de latón (#21) y apriete el ensamble con un destornillador de cabeza plana y una llave hexagonal de $\frac{1}{8}$ " (#15). Cuando esté listo para usar, enrosque el ensamble del pasador de inicio en el orificio roscado de la placa de accesorio y apriételo.



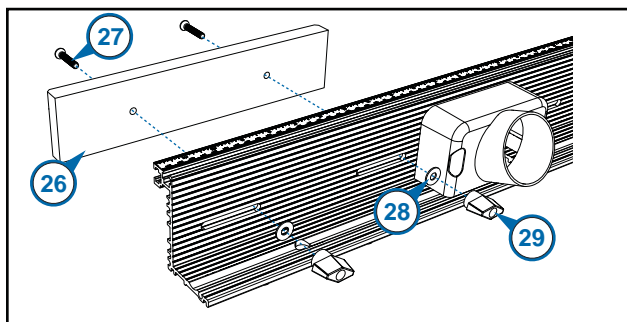
Paso 7

Monte el puerto de succión (#23) en la extrusión de la guía (#22) usando dos tornillos para metales de cabeza plana Phillips de #10-32 x $\frac{3}{8}$ " (#24).



Paso 8

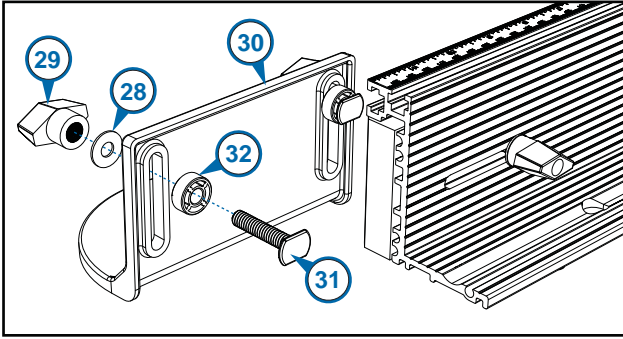
Ubique y marque el punto central del borde superior de la extrusión de la guía (#22) con una cinta métrica y un lápiz. Coloque la marca de cero de la cinta de medición central autoadhesiva (#25) en la marca del lápiz y retire el protector a medida que adhiere la cinta a la extrusión. Con la cinta adherida, corte el exceso al ras con cada extremo de la extrusión con tijeras para metal.



Paso 9

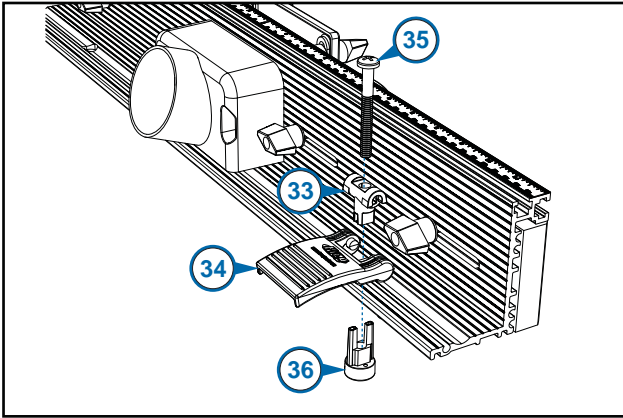
Instale las dos caras de la guía (#26) con dos tornillos de cabeza plana Phillips de $\frac{1}{4}$ -20 x $1\frac{1}{2}$ " (#27) insertados a través de la parte frontal de cada cara de la guía. Fije los tornillos para metales desde la parte posterior con dos arandelas planas de latón de $\frac{1}{4}$ " (#28) y dos perillas en T (#29) para cada cara de la guía.

5. Instrucciones de ensamblaje de la mesa para rebajadora para banco



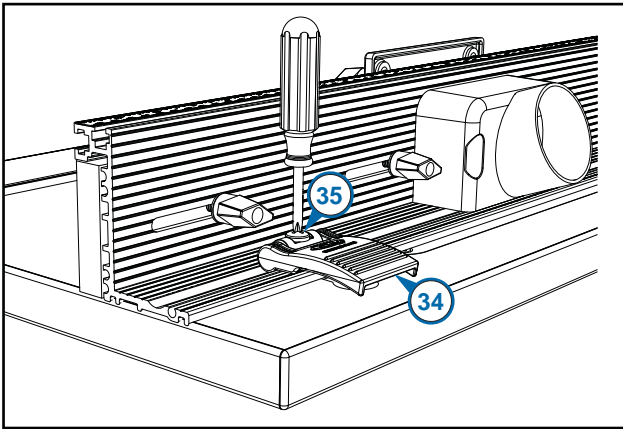
Paso 10

Ensamble la protección para brocas (#30) usando dos pernos en T de 1/4-20 x 1 1/4" (#31), dos espaciadores (#32), dos arandelas planas de latón de 1/4" (#28) y dos perillas en T (#29), como se muestra. Deslice las cabezas de los pernos en T en la ranura en T del borde superior frontal de la extrusión de la guía y apriete las perillas.



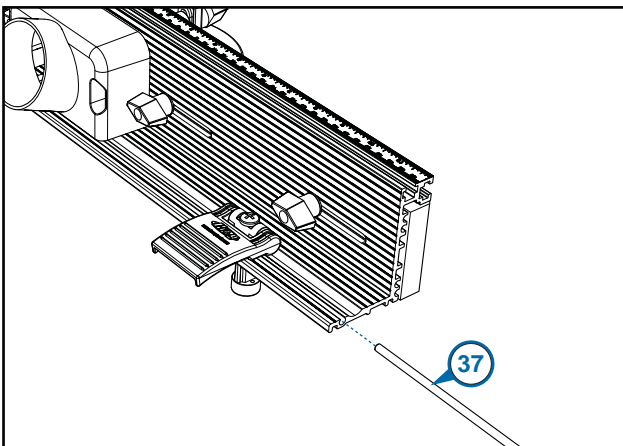
Paso 11

Ensamble las abrazaderas de leva con los postes de leva (#33), niveladores de leva (#34), tornillos para metales de cabeza plana Phillips de 1/4-20 x 2 1/2" (#35) y anclas de expansión de abrazadera (#36). Encaje a presión los postes de leva en los montantes del nivelador de leva. Deslice los tornillos para metales por los postes y deje caer los ensambles de nivelador/poste/tornillo para metales por los orificios en la brida de la base de la extrusión de la guía. Enrosque los tornillos para metales en las anclas de expansión de abrazadera hasta que las puntas de los "dedos" del ancla de expansión se acoplen a las ranuras de los postes de leva. [Debido a que los dedos del ancla de expansión se enganchan en las ranuras del poste, las anclas de expansión no se pueden girar y se fijan en las ranuras de la cubierta de la mesa o cambian la tensión de la abrazadera de leva].



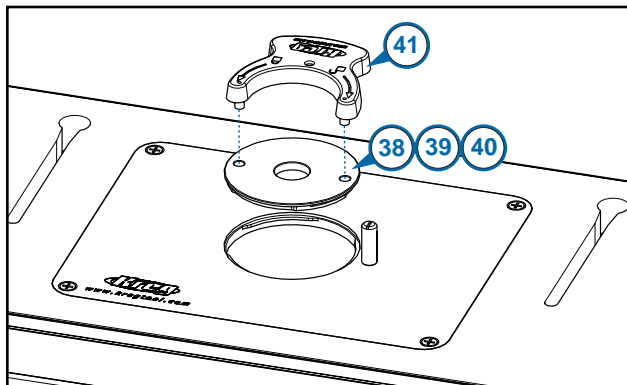
Paso 12

Monte la guía ensamblada en la cubierta de la mesa para rebajadora dejando caer las anclas de expansión de abrazadera (#36) en los orificios de la cubierta de la mesa. Con los niveladores de leva (#34) volteados hacia arriba en la posición vertical y los lóbulos apoyándose en la muesca redonda inferior de la extrusión de la guía, deslice la guía hacia delante, encajando las anclas de expansión de abrazadera en las ranuras de la guía de la cubierta de la mesa. Para ajustar la tensión de la abrazadera de leva, gire los niveladores de leva hacia abajo en la posición horizontal. Apriete los tornillos para metales (#35) con un destornillador hasta que las abrazaderas estén lo suficientemente apretadas para sostener la guía en su lugar. Ahora, cuando levante los niveladores para liberar la guía, se debería mover libremente.



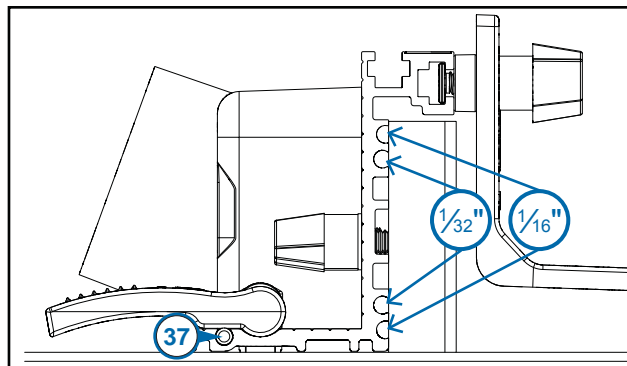
Paso 13

Para almacenar las varillas de unión (#37), deslícelas por el canal redondo en el borde posterior de la brida de base de la extrusión de la guía. Para obtener instrucciones sobre cómo usar estas varillas para unir la mesa de la rebajadora, consulte UNIÓN en la sección USO DE LA MESA PARA REBAJADORA.



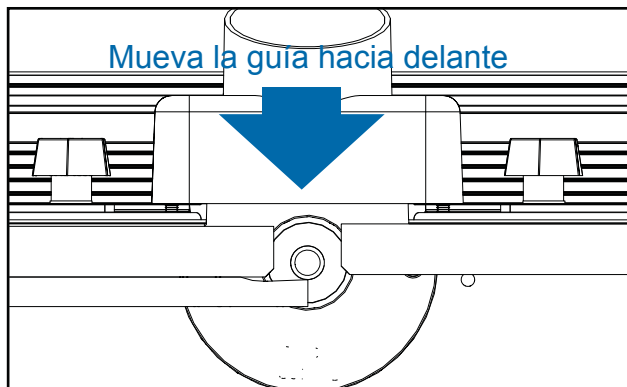
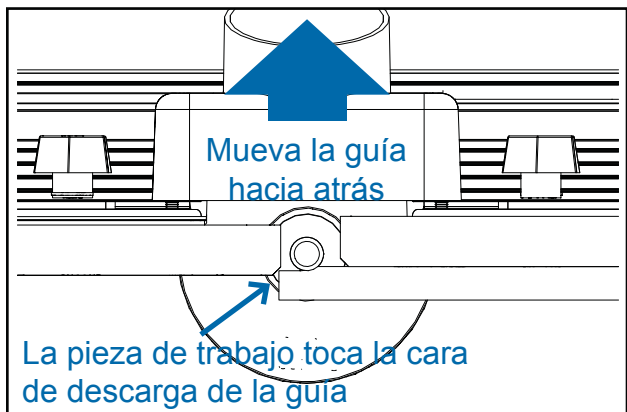
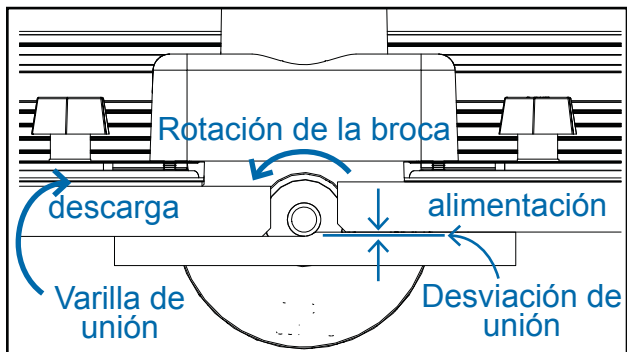
Anillos reductores

La placa de accesorio de precisión Kreg incluye tres anillos reductores (#38, #39, #40) para flexibilidad al hacer coincidir el tamaño de la abertura de la placa de accesorio con el diámetro de la broca para rebajadora en uso. El anillo con la abertura ranurada acepta conectores guía estilo Porter-Cable estándar, permitiéndole usar la mesa para rebajadora para rebajar diseños. Hay disponible un juego de cinco anillos reductores adicionales en el distribuidor Kreg (artículo #PRS3050). Incluye un disco en blanco para hacer un anillo sin espacio libre. Para instalar un anillo reductor, simplemente déjelo caer en la abertura de la placa de accesorio y gírelo a mano hasta que quede al ras con la superficie de la placa. Inserte las espigas en los extremos de los brazos de la llave de anillo (#41) en los orificios de acoplamiento del anillo reductor y gire el anillo en dirección contraria a las manecillas del reloj. Una rotación de aproximadamente 9,53 mm es suficiente para bloquear el anillo en su lugar. Para retirar el anillo, gire la llave en dirección de las manecillas del reloj y levante el anillo para extraerlo de la abertura.



Uniones

Las caras de la guía que se pueden ajustar en forma independiente en la guía de la mesa para rebajadora de precisión Kreg le permiten usar la mesa para rebajadora como perfilador de juntas vertical. Para configurar las uniones, retire ambas varillas de unión (#37) almacenadas en la extrusión de la guía. Afloje las perillas que fijan la cara de la guía de descarga. Hay dos conjuntos de canales redondos en la extrusión de la guía detrás de las caras de la guía, lo que permite desviar la cara de descarga de la guía 1,59 mm (1/16") o 0,79 mm (1/32") desde la cara de alimentación de la guía. Para una desviación de 1,59 mm (1/16"), deslice las varillas en las ranuras poco profundas. Para una desviación de 0,79 mm (1/32"), deslice las varillas en las ranuras más profundas. (Al unir, normalmente lo mejor es realizar pasadas ligeras, por lo que probablemente utilizará la configuración de 0,79 mm (1/32") con mayor frecuencia que la desviación de 1,59 mm (1/16"). Con las varillas en su lugar, apriete las perillas de la cara de descarga de la guía.



Instale una broca recta en la rebajadora. Colocando una regla de acero o un trozo de madera con un borde recto contra la cara de descarga de la guía, ubique la guía de modo que la broca solo roce la regla o el trozo de madera. Se puede usar cualquier broca recta para unir, pero es más fácil configurar una broca de recorte al ras. Debido a que el rodamiento de la guía de la broca tiene el mismo diámetro que el cortador, puede alinear la cara de descarga de la guía con el rodamiento. Una broca en espiral de corte ascendente produce una superficie prácticamente sin vibración, pero es un poco más difícil de alinear con la cara de la guía.

Use un trozo de madera que no use para probar la configuración. Si, al alimentar la broca con la madera, corre hasta el extremo principal de la cara de descarga de la guía, la guía está demasiado adelantada y no está retirando suficiente material. Mueva la guía un poco hacia atrás. Si obtiene un corte en diagonal en el borde posterior de la madera, la guía está muy atrás y está retirando demasiado material. Mueva la guía un poco hacia delante.

Pasador de inicio

El pasador de inicio que se incluye con la mesa para rebajadora es útil cuando se rebajan curvas. Soporta el borde de su pieza de trabajo y le permite deslizar suavemente su trabajo dentro de la broca para rebajadora. Se debe usar solo con las brocas para rebajadora que tienen un rodamiento guía.

Comience con la pieza de trabajo que toca el pasador de inicio, pero sin contacto con la broca para rebajadora. Deslice el material dentro del cortador y póngalo en contacto con el rodamiento guía de la broca. Siempre alimente la pieza de trabajo de modo que la broca para rebajadora gire contra (no con) la dirección de alimentación. Con la pieza de trabajo en contacto firme con el rodamiento guía, puede retirarla del pasador de inicio y dejar que la pieza de trabajo se deslice a lo largo del rodamiento guía.

Ranuras en T

La extrusión de la guía cuenta con dos ranuras en T, una en la parte superior y una en la cara frontal. Use pernos en T para fijar tablas con canto biselado y topes.

Cinta métrica de medición central

Centre la guía en la broca para rebajadora y use la regla de cinta métrica para ubicar los topes para que la rebajadora se detenga en cortes o ranuras.

Abrazaderas de la guía de acción rápida

Las abrazaderas de guía de leva y de ancla de expansión rápidamente aseguran y liberan la guía con solo levantar una palanca.

Accesorios opcionales Kreg

Tope

La ranura en T del borde superior de la guía acepta **el tope de mesa para rebajadora de precisión Kreg PRS7850** que se pliega fuera del camino cuando no está en uso.

Tablas con canto biselado

La ranura en T en la cara frontal de la guía acepta tablas con canto biselado **Kreg True-FLEX, PRS3010 (paquete simple) o PRS3020 (paquete doble)**.

Interruptor

Añada seguridad y conveniencia a su mesa para rebajadora con este interruptor útil. Los orificios en la brida de montaje **del interruptor para mesa multiuso Kreg PRS7850** se acoplan a los orificios de la base de la mesa para rebajadora para brindar una instalación fácil. Dos receptáculos permiten controlar dos entradas y la característica Key-Loc™ elimina la activación accidental. Incluye aditamentos de montaje.

Anillos reductores

Aumente los tres anillos reductores que se incluyen con la mesa para rebajadora con el juego **de 5 anillos Kreg PRS3050**. El juego incluye anillos de ¾", 1⅜", 1⅞" y 2⅞" además de un disco en blanco para hacer un anillo sin espacio libre personalizado.

Pautas de seguridad

- No seguir estas reglas puede resultar en lesiones personales graves.
- **ADVERTENCIA:** Este producto contiene una o más sustancias químicas reconocidas por el estado de California como causantes de cáncer, defectos congénitos u otros daños en el aparato reproductivo. **Lávese las manos después de manipularlo.**
- Las máquinas para carpintería son peligrosas y pueden provocar lesiones personales si no se usan de manera adecuada.
- Lea completamente el manual de operación y las instrucciones de seguridad de la máquina antes de utilizarla. Conozca las aplicaciones y las limitaciones de la máquina, además de sus peligros específicos. La operación de la máquina antes de comprender su utilización segura y adecuada puede causar lesiones personales graves.
- Mantenga todas las protecciones y los dispositivos de seguridad debidamente instalados al usar la máquina.
- Siempre use gafas de seguridad.
- Mantenga las manos alejadas de la broca giratoria mientras opere la máquina. No se extienda demasiado.
- Evite las posiciones de manos incómodas donde un resbalón repentino podría provocar el contacto con la broca giratoria.
- Evite los contragolpes. Los contragolpes se producen cuando la pieza de trabajo se atasca mientras se rebaja, lo que causa que se tuerza, salte y, posiblemente, salga disparada por el aire. Para evitar los contragolpes y las posibles lesiones, siempre siga la técnica adecuada, use brocas afiladas, mantenga la máquina alineada y con el debido mantenimiento, y asegure y apoye correctamente la pieza de trabajo. Para liberar las manos con el fin de operar la herramienta, cuando resulte práctico y seguro, use abrazaderas o una prensa de tomillo para sostener la pieza de trabajo.
- Apague la máquina antes de realizar ajustes. Nunca ajuste la guía, la placa, los anillos reductores o cualquier otra pieza de la máquina mientras esté funcionando.
- Asegúrese de que la máquina se detenga completamente antes de ajustar la posición de una pieza de trabajo.
- Máquinas eléctricas con puesta a tierra. Si la máquina está equipada con un enchufe de tres clavijas, solo debe enchufarse en un tomacorriente de tres orificios con puesta a tierra. Si no se cuenta con un enchufe adecuado, pídale a un electricista calificado que instale uno. Nunca retire la tercera clavija ni modifique el enchufe incluido de ninguna manera.
- No use la máquina en entornos peligrosos o sucios. No utilice la máquina en áreas húmedas o mojadas ni la esponja a la lluvia. Mantenga el área de trabajo bien iluminada, despejada y limpia.
- Mantenga a todos los niños y las visitas a una distancia segura del área de trabajo. Los niños y las visitas no deben operar maquinaria bajo ninguna circunstancia.
- Convierta su taller en un taller "a prueba de niños". Use candados e interruptores maestros, o cualquier otro medio necesario para evitar el uso no autorizado de la maquinaria.
- Use la máquina adecuada para la tarea. Nunca "force" una máquina para hacer un trabajo para el que no fue diseñada. Si se usa correctamente en condiciones seguras, la máquina producirá mejores resultados en menos tiempo.
- Use el equipo apropiado. Evite la ropa holgada, guantes, collares, anillos, brazaletes u otras joyas que pueden quedar atrapadas en las piezas en movimiento. Use calzado antideslizante y cubiertas protectoras para el cabello diseñadas específicamente como equipos de seguridad.
- Asegure la maquinaria para evitar resbalarse o deslizarse.
- Mantenga una posición y equilibrio adecuados para evitar resbalarse y deslizarse al encender la maquinaria.
- Mantenga siempre las herramientas en la mejor condición. Para obtener la mayor calidad y el rendimiento más seguro, mantenga las brocas afiladas y limpias y la maquinaria bien mantenida. Siga todas las prácticas de lubricación y mantenimiento de los accesorios que se detallan en el manual de instrucciones.
- Desconecte la máquina de la alimentación eléctrica antes de repararla. Al cambiar accesorios, como brocas y abrazaderas, realizar cualquier tipo de evaluación física de la máquina o cuando el motor se monte o conecte, desconecte la máquina de su fuente de alimentación.
- Verifique que no haya piezas dañadas. Antes de usar la máquina, realice una evaluación cuidadosa de todas las protecciones y otras piezas para asegurarse de que la máquina funcione correctamente y tenga el rendimiento deseado. Verifique que no haya piezas móviles mal alineadas o trabadas, piezas rotas o mal montadas ni cualquier otra condición que pueda afectar el funcionamiento. Si una cubierta o cualquier otra pieza están dañadas, deben repararse o reemplazarse tan pronto como sea posible, antes de cualquier uso adicional. No use la herramienta si no está calificado para realizar estas evaluaciones.
- Nunca deje de supervisar una máquina en funcionamiento. Desconecte siempre la alimentación de la máquina después de operarla. No suelte la herramienta hasta que no se detenga completamente.
- Nunca deje de supervisar una máquina en funcionamiento. Desconecte siempre la alimentación de la máquina después de operarla. No suelte la herramienta hasta que no se detenga completamente.
- Este sistema de maquinaria se diseñó solo para ciertas aplicaciones. Kreg Tool recomienda encarecidamente NO modificar este sistema ni utilizarlo en cualquier aplicación para la que no fue diseñado. Si tiene preguntas relacionadas con la aplicación del sistema de maquinaria, NO use el sistema hasta escribir, llamar por teléfono o enviar un correo electrónico a Kreg Tool y recibir la orientación correspondiente.